

2022



For Maintenance and Safety

# OWNER'S MANUAL

PRO XD Mid-Size

**POLARIS**  
Think Outside



## WARNING

Read, understand, and follow all of the instructions and safety precautions in this manual and on all product labels.

Failure to follow the safety precautions could result in serious injury or death.



## WARNING

Operating, servicing, and maintaining a passenger vehicle or off-road vehicle can expose you to chemicals including engine exhaust, carbon monoxide, phthalates, and lead, which are known to the State of California to cause cancer and birth defects or other reproductive harm. To minimize exposure, avoid breathing exhaust, do not idle the engine except as necessary, service your vehicle in a well-ventilated area and wear gloves or wash your hands frequently when servicing your vehicle.

For more information go to [www.P65Warnings.ca.gov/passenger-vehicle](http://www.P65Warnings.ca.gov/passenger-vehicle).



*For videos and more information  
about a safe riding experience with  
your Polaris vehicle, scan this QR  
Code® with your smartphone.*



*2022 Owner's Manual*

*Pro XD Mid-Size Gas  
Pro XD Mid-Size Gas CREW*

Unless noted, trademarks are the property of Polaris Industries Inc. Loctite® is a registered trademark of Henkel Corporation. WD-40® is registered to WD-40 Manufacturing Company. QR Code® is a registered trademark of DENSO WAVE INCORPORATED. OSHA® is a registered trademark of the Occupational Safety and Health Administration. U. S. Dept. of Labor, MACPHERSON RIDE® is a trademark of Aftermarket Auto Parts Alliance, Inc. NGK® is a registered trademark of NGK Spark Plug Co., Ltd. Tread Lightly® is a registered trademark of the United States Department of Agriculture. Google Play® is a registered trademark of Google LLC. BatteryMINDer® is a registered trademark of VDC Electronics Inc. Apple® and APP Store® are registered trademarks of Apple Inc. NYOGEL® is a registered trademark of Nye Lubricants, Inc.

Copyright 2022 Polaris Industries Inc. All information contained within this publication is based on the latest product information at the time of publication. Due to constant improvements in the design and quality of production components, some minor discrepancies may result between the actual vehicle and the information presented in this publication. Depictions and/or procedures in this publication are intended for reference use only. No liability can be accepted for omissions or inaccuracies. Any reprinting or reuse of the depictions and/or procedures contained within, whether whole or in part, is expressly prohibited.

The original instructions for this vehicle are in English. Other languages are provided as translations of the original instructions.



Thank you for purchasing a POLARIS vehicle, and welcome to our world-wide family of POLARIS enthusiasts. Be sure to visit us online at [www.polaris.com](http://www.polaris.com) for the latest news, new product introductions, upcoming events, career opportunities and more.

Here at POLARIS we proudly produce an exciting line of utility and recreational products. We believe POLARIS sets a standard of excellence for all utility and recreational vehicles manufactured in the world today. Many years of experience have gone into the engineering, design, and development of your POLARIS vehicle, making it the finest machine we've ever produced.

For safe and enjoyable operation of your vehicle, be sure to follow the instructions and recommendations in this owner's manual. Your manual contains instructions for minor maintenance, but information about major repairs is outlined in the POLARIS Service Manual and can be performed by a factory certified Master Service Dealer (MSD) technician or other qualified person.

Your POLARIS dealer knows your vehicle best and is interested in your total satisfaction. Your POLARIS dealership can perform all of your service needs during and after the warranty period.

For the most up-to-date owner's manual visit <https://www.polaris.com/en-us/owners-manuals>.

WELCOME

---

---

<b>Introduction . . . . .</b>	<b>7</b>
<b>Safety . . . . .</b>	<b>11</b>
<b>Features and Controls . . . . .</b>	<b>31</b>
<b>Operation . . . . .</b>	<b>63</b>
<b>Winch Guide. . . . .</b>	<b>81</b>
<b>Emission Control Systems . . . . .</b>	<b>91</b>
<b>Maintenance . . . . .</b>	<b>93</b>
<b>Specifications . . . . .</b>	<b>147</b>
<b>POLARIS Products . . . . .</b>	<b>151</b>
<b>Troubleshooting . . . . .</b>	<b>153</b>
<b>Warranty . . . . .</b>	<b>159</b>
<b>Maintenance Log . . . . .</b>	<b>169</b>





# INTRODUCTION

## IMPORTANT INFORMATION

 **WARNING**

Failure to follow the warnings contained in this manual can result in severe injury or death.

This vehicle is not a toy and can be hazardous to operate. This vehicle handles differently than other vehicles. A collision or rollover can occur quickly, even during routine maneuvers, if you fail to take proper precautions.

- Read this owner's manual. Understand all safety warnings, precautions and operating procedures before operating the vehicle. Keep this manual with the vehicle at all times.
- This vehicle is an **ADULT VEHICLE ONLY**. You **MUST** be at least 16 years of age and have a valid driver's license to operate this vehicle.
- No person under the age of 12 may ride as a passenger in this vehicle.
- Never permit a guest to operate this vehicle unless the guest has read this manual and all product labels.
- Always keep hands, feet, and all other body parts inside the vehicle at all times.
- Always wear the proper clothing when operating or riding in this vehicle. All riders should wear substantial footwear, long pants, and a close-fitting shirt. A hard hat or helmet and approved eye protection are recommended when appropriate for riding or working conditions.
- Never operate this vehicle under the influence of drugs or alcohol, as these conditions impair judgement and the operator's ability to react.

## INTRODUCTION

---

### SAFETY SYMBOLS AND SIGNAL WORDS

The following signal words and symbols appear throughout this manual and on your vehicle. Your safety is involved when these words and symbols are used. Become familiar with their meanings before reading the manual.

#### DANGER

DANGER indicates a hazardous situation which, if not avoided, WILL result in death or serious injury.

#### WARNING

WARNING indicates a hazardous situation which, if not avoided, COULD result in death or serious injury.

#### CAUTION

CAUTION indicates a hazardous situation which, if not avoided, COULD result in minor to moderate injury.

#### NOTICE

NOTICE provides key information by clarifying instructions.

#### IMPORTANT

IMPORTANT provides key reminders during disassembly, assembly, and inspection of components.

The Prohibition Safety Sign indicates an action NOT to take in order to avoid a hazard.



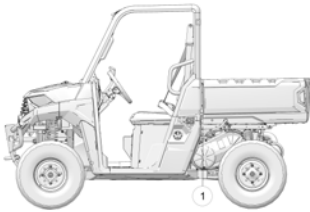
The Mandatory Action Sign indicates an action that NEEDS to be taken to avoid a hazard.



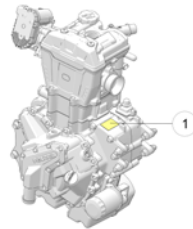
## VEHICLE IDENTIFICATION NUMBERS

Record your vehicle's identification numbers in the spaces provided. The engine serial number is located on the side of the engine, below the injection pump.

All keys have the number 4083. Remove the spare key and store it in a safe place. Additional pre-cut keys for your vehicle can be ordered. The ignition switch must be replaced if all keys are lost.



① Vehicle Identification Number (VIN)



② Engine Serial Number

Vehicle Model Number:	
Vehicle Identification Number (VIN):	
Engine Serial Number:	
Key Number	4083

## INTRODUCTION

---

### NEAR-FIELD COMMUNICATION (NFC) (IF EQUIPPED)

Some Polaris vehicles come equipped with a near-field communication (NFC) chip. The NFC chip is embedded in the Polaris emblem located at the front of the vehicle and seamlessly connects you to a digital platform of vehicle information and tools. See your dealer for more information.

#### IMPORTANT

Not all devices are equipped with an NFC reader. Additionally, some devices require third party applications to access NFC content. For questions regarding the NFC reader on your device, refer to the device's user manual.

On models equipped with NFC, place your smartphone directly over the Polaris emblem to do the following:

- View vehicle specific information
- Access your Polaris Garage
- Download and view the owner's manual
- View accessory instructions
- Watch helpful videos
- Access warranty information
- Check for service notifications



### RIDE COMMAND WITH NFC

Additional NFC features are available when using the Ride Command mobile app. To access these features, do the following:

1. Download the Ride Command mobile app from the Apple App Store® or Google Play® store.
2. Create or log in to an existing account.
3. From the Ride Command mobile app home screen, select **Add Vehicle**.
4. On the vehicle, tap the NFC-enabled badge with the phone to scan the vehicle.
5. Confirm information, name your vehicle, and tap add to garage.

### SYSTEM REQUIREMENTS

Refer to device manufacturer's instructions to verify NFC read capability, and/or NFC-capable add-ons.

## SAFETY

### PERSONAL PROTECTIVE EQUIPMENT

Always wear the proper clothing when operating or riding in this vehicle. All riders should wear substantial footwear, long pants and a close-fitting shirt. A hard hat or helmet and approved eye protection are recommended when appropriate for working or riding conditions. POLARIS recommends wearing approved eye protection bearing markings such as VESC 8, V-8, Z87.1 or CE. Never operate or ride in this vehicle while barefoot or while wearing sandals or tennis shoes.

Workplace safety regulations may require the use of safety glasses, safety shoes and a hard hat or helmet. Familiarize yourself with local requirements, be prepared for operating conditions and wear the appropriate safety gear.

Department of Transportation (DOT) approved helmets are required for all riders when operating at 30 MPH or above. Approved helmets in the USA and Canada bear a U.S. Department of Transportation label.



### RIDER COMFORT

Under certain operating conditions, heat generated by the engine and exhaust system can elevate temperatures in the driver and passenger cab area. The condition occurs most frequently when a vehicle is being operated in high ambient temperatures at low speeds and/or high load conditions for an extended period of time. The use of certain windshield, roof and/or cab systems may contribute to this condition by restricting airflow. Any discomfort due to heat buildup in this area can be minimized by wearing proper riding apparel and by varying speeds to increase airflow.

## SAFETY

---

### SAFETY LABELS AND LOCATIONS

Warning labels have been placed on the vehicle for your protection. Read and follow the instructions of the labels on the vehicle carefully. If any of the labels depicted in this manual differ from the labels on your vehicle, always read and follow the instructions of the labels *on the vehicle*.

If any label becomes illegible or comes off, contact your POLARIS dealer to purchase a replacement. Replacement *safety* labels are provided by POLARIS at no charge. The part number is printed on the label.

#### BELT WARNING

The Belt Warning label is located on the clutch cover.

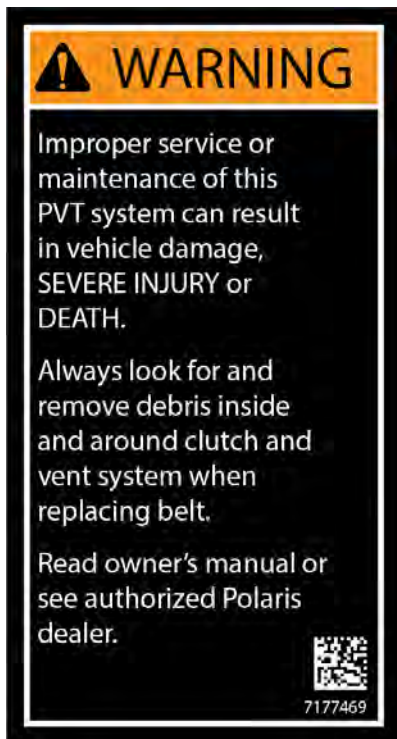
##### **WARNING**

Improper service or maintenance of this PVT system can result in vehicle damage, SEVERE INJURY or DEATH.

Always look for and remove debris inside and around clutch and vent system when replacing belt.

Read owner's manual or see authorized Polaris dealer.

Part number: 7177469 (English),  
7177469-F (French Canadian)



## PROPER USE WARNING (STANDARD)

The Proper Use Warning label is located on the OPS.

### **⚠ WARNING**

Improper vehicle use can result in SEVERE INJURY or DEATH

### **⚠ WARNING**

#### **Require Proper Use of Your Vehicle**

Do your part to prevent injuries:

- Do not allow careless or reckless driving.
- Make sure operators are 16 or older with a valid driver's license.
- Do not let people drive or ride after using alcohol or drugs.
- Do not allow operation on public roads (unless designated for off-highway vehicle access) — collisions with cars and trucks can occur.
- Do not exceed seating capacity: 2 occupants.

#### **Be Sure Riders Pay Attention and Plan Ahead**

If you think or feel the vehicle may tip or roll, reduce your risk to injury:

- Keep a firm grip on the steering wheel or handholds and brace yourself.
- Do not put any part of your body outside of the vehicle for any reason.

Rollovers have caused severe injuries and death, even on flat, open areas.

**⚠ WARNING**

Improper vehicle use can result in SEVERE INJURY or DEATH

**Require Proper Use of Your Vehicle**  
Do your part to prevent injuries:

- Do not allow careless or reckless driving.
- Make sure operators are 16 or older with a valid driver's license.
- Do not let people drive or ride after using alcohol or drugs.
- Do not allow operation on public roads (unless designated for off-highway vehicle access) - collisions with cars and trucks can occur.
- Do not exceed seating capacity: 2 occupants.

**Be Sure Riders Pay Attention and Plan Ahead**  
If you think or feel the vehicle may tip or roll, reduce your risk to injury. Keep firm grip on the steering wheel or handholds and brace yourself. Do not put any part of your body outside of the vehicle for any reason.

Rollovers have caused severe injuries and death, even on flat, open areas.

**DRIVER UNDER 16**

7300669

SCAN CODE FOR PRODUCT AND SAFETY INFORMATION. FOLLOW ALL INSTRUCTIONS AND WARNINGS.

Part Number: 7300669 (English), 7300669-F (French Canadian)

# SAFETY

## PROPER USE WARNING (CREW)

The Proper Use Warning label is located on the OPS.

### **WARNING**

Improper vehicle use can result in SEVERE INJURY or DEATH

### **WARNING**

#### **Require Proper Use of Your Vehicle**

Do your part to prevent injuries:

- Do not allow careless or reckless driving.
- Make sure operators are 16 or older with a valid driver's license.
- Do not let people drive or ride after using alcohol or drugs.
- Do not allow operation on public roads (unless designated for off-highway vehicle access) — collisions with cars and trucks can occur.
- Do not exceed seating capacity: 4 occupants.

#### **Be Sure Riders Pay Attention and Plan Ahead**

If you think or feel the vehicle may tip or roll, reduce your risk to injury:

- Keep a firm grip on the steering wheel or handholds and brace yourself.
- Do not put any part of your body outside of the vehicle for any reason.

Rollovers have caused severe injuries and death, even on flat, open areas.



The image shows a warning label with a black background and orange and white text. At the top, it says "WARNING" in large white letters. Below that, it states "Improper vehicle use can result in SEVERE INJURY or DEATH". The label is divided into two main sections. The left section is titled "Require Proper Use of Your Vehicle" and lists four bullet points: "Do not allow careless or reckless driving.", "Make sure operators are 16 or older with a valid driver's license.", "Do not let people drive or ride after using alcohol or drugs.", and "Do not allow operation on public roads (unless designated for off-highway vehicle access) - collisions with cars and trucks can occur." Below these points is a small illustration of a vehicle tipping over. The right section is titled "Be Sure Riders Pay Attention and Plan Ahead" and lists two bullet points: "Keep a firm grip on the steering wheel or handholds and brace yourself." and "Do not put any part of your body outside of the vehicle for any reason." Below this text is another small illustration of a vehicle tipping over. In the bottom right corner, there is a QR code, a "DRIVER UNDER 16" sign, and the number "7300670". At the very bottom, it says "SCAN CODE FOR PRODUCT AND SAFETY INFORMATION. FOLLOW ALL INSTRUCTIONS AND WARNINGS."

Part Number: 7300670 (English), 7300670-F (French Canadian)



## PASSENGER / TIRE PRESSURE WARNING

The Passenger / Tire Pressure Warning is located on the cargo box.

### ⚠ WARNING

- Never carry passengers in cargo box.
- Passengers can be thrown off. This can cause serious injury or death.
- If total payload is greater than 500 lbs, the vehicle must be operated in LOW range.

### ⚠ WARNING IMPROPER TIRE PRESSURE OR OVERLOADING CAN CAUSE LOSS OF CONTROL RESULTING IN SERIOUS INJURY OR DEATH.

- Reduce speed and allow greater distance for braking when carrying cargo.
- Overloading or carrying tall, off-center, or unsecured loads will increase your risk of losing control. Loads should be centered and carried as low as possible in box.
- For stability on rough or hilly terrain, reduce speed and cargo.

**⚠ WARNING**

**OVERLOADING OR IMPROPER TIRE PRESSURE CAN CAUSE TIPPING OR LOSS OF CONTROL RESULTING IN SERIOUS INJURY OR DEATH.**

- Never exceed load capacities.
- Reduce speed and allow greater distance for braking when carrying cargo.
- Carrying tall, off-center, or unsecured loads will increase your risk of losing control. Center and secure loads as low as possible in box.
- Reduce speed and cargo on rough or hilly terrain.
- Check for proper tire pressure.



**⚠ WARNING**  
**FALLING OFF CARGO BOX CAN CAUSE SERIOUS INJURY OR DEATH.**

- Never carry riders in cargo box.



PRO XD	Mid-Size Gas	Mid-Size Gas Crew
MAXIMUM CARGO BOX LOAD	500 lbs. (226 kg)	500 lbs. (226 kg)
TIRE PRESSURE IN PSI (KPa)	FRONT 10 (69) REAR 20 (138)	FRONT 15 (103) REAR 20 (138)
VEHICLE RATED CAPACITY INCLUDES WEIGHT OF OPERATOR, PASSENGER, CARGO AND ACCESSORIES	946 lbs. (429 kg)	1141 lbs. (518 kg)
GVWR	2255 lbs. (1023 kg)	2700 lbs. (1225 kg)

Read Operator's Maintenance Manual for more detailed loading information.

Read Operation & Maintenance Manual for more detailed loading information.

MODEL	PRO XD MID-SIZE GAS	PRO XD MID-SIZE GAS CREW
MAXIMUM CARGO BOX LOAD	500 (226 kg)	500 (226 kg)
TIRE PRESSURE IN PSI (KPa)	Front 10 (69) Rear 20 (138)	Front 15 (103) Rear 20 (138)
MAXIMUM WEIGHT CAPACITY INCLUDES WEIGHT OF OPERATOR, PASSENGER, CARGO, AND ACCESSORIES	946 (429 kg)	1141 (518 kg)
GVWR	2255 (1023 kg)	2700 (1225 kg)
Read Operation & Maintenance Manual for more detailed loading information.		

Part number: 7300667 (English), 7300667-F (French Canadian)

### SEAT BELT / DRIVE RESPONSIBLY WARNING

#### WARNING

**Improper vehicle use can result in SEVERE INJURY or DEATH**

#### **ALWAYS:**

- Wear head protection — such as a hard hat or helmet — as appropriate for conditions and usage. Consult manual for more information.
- Wear your seatbelt. Vehicle rollover could cause serious injury or death.
- Wear eye protection and keep hands and feet in vehicle at all times.
- Reduce speed and use extra caution when carrying passengers.
- Avoid sharp turns or turns while applying heavy throttle.
- Operate slowly in reverse - avoid sharp turns or sudden braking.
- Make sure passengers read and understand all warning labels.
- Watch for branches or other hazards that could enter vehicle.
- Use caution while operating vehicle on private paved surfaces. Pavement can alter handling and may cause loss of control.

#### **NEVER OPERATE:**

- At speeds too fast for your skills or the conditions.
- After or while using Alcohol or Drugs.
- Across slopes (Avoid side hilling).
- On public roads. This vehicle is for off-highway use only. Driving on public roads could be a violation of law and may be hazardous.
- With more passengers than described in the Operation & Maintenance Manual, with children under the age of 12, and passengers who cannot comfortably reach the floor and hand holds with back against the seat.
- With unapproved accessories - they may seriously affect stability.

**LOCATE AND READ OPERATION & MAINTENANCE MANUAL. FOLLOW ALL INSTRUCTIONS AND WARNINGS.**

## WARNING

**IMPROPER VEHICLE USE CAN  
RESULT IN SERIOUS INJURY OR DEATH**

**ALWAYS:** • Wear head protection – such as a hard hat or helmet – as appropriate for conditions and usage. Consult manual for more information. • Wear your seatbelt. Vehicle rollover could cause serious injury or death.

• Wear eye protection and keep hands and feet in vehicle at all times. • Reduce speed and use extra caution when carrying passengers. • Avoid sharp turns or turns while applying heavy throttle. • Operate slowly in reverse – avoid sharp turns or sudden braking. • Make sure passengers read and understand all warning labels. • Watch for branches or other hazards that could enter vehicle. • Use caution while operating vehicle on private paved surfaces. Pavement can alter handling and may cause loss of control.

**NEVER OPERATE:** • At speeds too fast for your skills or the conditions. • After or while using Alcohol or Drugs. • Across slopes (Avoid side hilling). • On public roads. This vehicle is for off-highway use only. Driving on public roads could be a violation of law and may be hazardous. • With more passengers than described in the Operation & Maintenance Manual, with children under the age of 12, and passengers who cannot comfortably reach the floor and hand holds with back against the seat. • With unapproved accessories – they may seriously affect stability.

**LOCATE AND READ OPERATION & MAINTENANCE MANUAL. FOLLOW ALL INSTRUCTIONS AND WARNINGS.**

7300668

Part number: 7300668 (English), 7300668–F (French Canadian)

## SAFETY

### MAXIMUM PAYLOAD WARNING

#### WARNING

The Maximum Payload Warning label is located on the cargo box.



PRO XD	NEVER EXCEED	IF TOTAL PAYLOAD EXCEEDS
Mid-Size Gas	25 mph (40 kph)	669 lbs (303 kg)
Mid-Size Gas Crew	25 mph (40 kph)	772 lbs (350 kg)

#### CAUTION

To avoid transmission damage, shift only when the vehicle is stationary and at idle. When the vehicle is stopped, place shift in parked position.

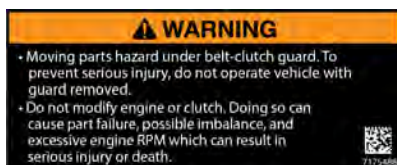
Part number: 7300675 (English), 7300675-F (French Canadian)

### CLUTCH COVER WARNING

The Clutch Cover Warning label is located on the clutch cover.

#### WARNING

- Moving parts hazard under belt-clutch guard. To prevent serious injury, do not operate vehicle with guard removed
- Do not modify engine or clutch. Doing so can cause part failure, possible imbalance, and excessive engine RPM which can result in serious injury or death.



Part number: 7175488 (English),  
7175488-F (French Canadian)

## FUEL TRANSPORT WARNING

The Fuel Transport Warning label is located in the cargo box.

### WARNING

NEVER carry fuel or other flammable liquids on this vehicle

Failure to follow this instruction could lead to serious burn injuries or death.

Part number: 7186122 (English),  
7186122-F (French Canadian)



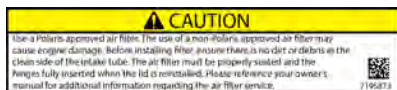
## AIR FILTER CAUTION

The Air Filter Caution label is located on the air filter housing.

### CAUTION

Use a Polaris approved air filter. The use of a non-Polaris approved air filter may cause engine damage. Before installing filter, ensure there is no dirt or debris in the clean side of the intake tube. The air filter must be properly seated before the lid is reinstalled. Please reference your owner's manual for additional information regarding air filter service.

Part Number 7195873 (English),  
7195873-F (French Canadian)



### OPERATOR SAFETY

 **WARNING**

Serious injury or death can result if you do not follow these instructions and procedures, which are outlined in further detail within your owner's manual.

- Read this entire manual and all labels carefully. Follow the operating procedures described.
- Never allow anyone under the age of 16 to operate this vehicle and never allow anyone without a valid driver's license to operate this vehicle.
- Do not carry a passenger until you have at least two hours of driving experience with this vehicle.
- No person under the age of 12 may ride as a passenger in this vehicle.
- Always keep hands and feet inside the vehicle at all times. Always keep both hands on the steering wheel (driver) and both feet on the floorboards of the vehicle during operation.
- Never permit a guest to operate this vehicle unless the guest has read this manual and all product labels.
- Always make sure the seat belts are secured for operator and passenger before operating.
- Never exceed the stated load capacity for this vehicle. Cargo should be properly distributed and securely attached. Reduce speed and follow the instructions in this manual for hauling cargo or pulling a trailer. Allow a greater distance for braking.
- Always be sure there are no obstacles or people behind your vehicle when operating in reverse. When it's safe to proceed in reverse, move slowly. Avoid turning at sharp angles in reverse.
- Always use the proper size and type of tires specified in this manual. Always maintain proper tire pressure as specified on safety labels.
- Never modify this vehicle through improper installation or use of non-POLARIS-approved accessories.
- Always remove the key when leaving the vehicle unattended.
- Never consume alcohol or drugs before or while operating this vehicle.
- Never operate at excessive speeds. Always operate at a speed that's appropriate for the traffic, the visibility and operating conditions, your skills and your passengers' skills.
- Always inspect the vehicle before each use to make sure it's in safe operating condition. Always follow the inspection procedures described in this manual.
- Always travel slowly and use extra caution when operating on unfamiliar terrain. Be alert to changing terrain.
- Always follow proper procedures for turning. Make turns slowly, especially when the ground is wet, greasy, bumpy or sloping. Never turn the steering wheel abruptly when driving at high speed.

- Always have this vehicle checked by an authorized POLARIS dealer if it has been involved in an accident.
- Always be alert for obstacles when operating this vehicle. Never attempt to operate over obstacles.
- Never operate this vehicle on steep hills.
- Never operate on excessively rough, slippery or loose terrain.
- Always be careful of skidding or sliding. On slippery surfaces such as ice, travel slowly and exercise caution to reduce the chance of skidding or sliding out of control.
- Always be sure there are no obstacles or people behind your vehicle when operating in reverse. When it's safe to proceed in reverse, move slowly. Avoid turning at sharp angles in reverse.
- Always stop the engine before refueling. Remove flammable material containers from the box before filling them with fuel. Make sure the refueling area is well ventilated and free of any source of flame or sparks.

### PROPER OPERATION

Failure to operate the vehicle properly can result in a collision, loss of control, accident or rollover, which may result in serious injury or death. Heed all safety warnings outlined in this section of the owner's manual. See the OPERATION section of the owner's manual for proper operating procedures.



## SAFETY

---

### OPERATING WITHOUT INSTRUCTION

Operating this vehicle without proper instruction increases the risk of an accident. The operator must understand how to operate the vehicle properly in different situations and on different types of terrain. All operators must read and understand the Owner's Manual and all warning and instruction labels before operating the vehicle.



### AGE RESTRICTIONS

This vehicle is an **ADULT VEHICLE ONLY**. NEVER operate this vehicle if you are under age 16 and NEVER operate without a valid driver's license. Never operate with a passenger under the age of 12. All riders must be able to sit with backs against the seat, both feet flat on the floor and both hands on the steering wheel (if driving) or on a passenger hand hold (if equipped).





## USING ALCOHOL OR DRUGS

Never consume alcohol or drugs before or while operating this vehicle.

Operating this vehicle after consuming alcohol or drugs could adversely affect operator judgment, reaction time, balance and perception.



## FAILURE TO INSPECT BEFORE OPERATING

### WARNING

Failure to inspect and verify that the vehicle is in safe operating condition before operating increases the risk of an accident. Always perform the Pre-Ride Inspection outlined in the Operation chapter before each use of your vehicle to make sure it's in safe operating condition. Always follow the inspection and maintenance procedures and schedules described in this owner's manual. See the Periodic Maintenance section of the Maintenance chapter.

## SEAT BELTS

Riding in this vehicle without wearing the seat belt increases the risk of serious injury in the event of rollover, loss of control, other accident or sudden stop. Seat belts may reduce the severity of injury in these circumstances.

All riders *must* wear seat belts at all times.



## SAFETY

### OPERATING WITH A LOAD ON THE VEHICLE

The weight of the cargo, operator, and passengers impacts vehicle operation and stability. For your safety and the safety of others, carefully consider how your vehicle is loaded and how to safely operate the vehicle. Follow the instructions in this manual for loading, tire pressure, gear selection and speed.

- **Do not exceed vehicle weight capacities.** The vehicle's maximum weight capacity is listed in the specifications section of this manual and on a label on the vehicle. When determining the weight you are adding to the vehicle, include the weight of the operator, passengers, accessories, loads in the rack or box and the load on the trailer tongue. The combined weight of these items must not exceed the maximum weight capacity.
- The recommended tire pressures are listed in the specifications section of this manual and on a label on the vehicle.

**Always follow these guidelines:**

UNDER ANY OF THESE CONDITIONS:	DO ALL OF THESE STEPS:
Operator and/or cargo exceeds half the maximum weight capacity	<ol style="list-style-type: none"><li>1. Slow down.</li><li>2. Verify tire pressure.</li><li>3. Use extra caution when operating.</li></ol>
Operating in rough terrain	
Operating over obstacles	
Climbing an incline	
Towing	

### IMPROPER TIRE MAINTENANCE

#### WARNING

Operating this vehicle with improper tires or with improper or uneven tire pressure could cause loss of control or accident. Always use the size and type of tires specified for your vehicle. Always maintain proper tire pressure as described in the owner's manual and on safety labels.

### OPERATING AT EXCESSIVE SPEEDS

#### CAUTION

Operating this vehicle at excessive speeds increases the operator's risk of losing control. Always operate at a speed that's appropriate for the terrain, the visibility and operating conditions and your skills and experience.

---

## JUMPS AND STUNTS

 CAUTION

Exhibition driving increases the risk of an accident or rollover. **DO NOT** do power slides, “donuts”, jumps or other driving stunts. Avoid exhibition driving.

## TURNING IMPROPERLY

 CAUTION

Turning improperly could cause loss of traction, loss of control, accident or rollover. Always follow proper procedures for turning as described in this owner’s manual.

Avoid sharp turns. Never turn while applying heavy throttle. Never make abrupt steering maneuvers. Practice turning at slow speeds before attempting to turn at faster speeds.

## IMPROPER HILL CLIMBING

 CAUTION

Improper hill climbing could cause loss of control or rollover. Use extreme caution when operating on hills. Always follow proper procedures for hill climbing as described in this owner’s manual.

## DESCENDING HILLS IMPROPERLY

 CAUTION

Improperly descending a hill could cause loss of control or rollover. Always follow proper procedures for traveling down hills as described in this owner’s manual.

## CROSSING HILLSIDES

 CAUTION

Driving on a sidehill is not recommended. Improper procedure could cause loss of control or rollover. Avoid crossing the side of any hill unless absolutely necessary. If crossing a hillside is unavoidable, always follow proper procedures as described in this owner’s manual.

## SAFETY

---

### STALLING WHILE CLIMBING A HILL



Stalling or rolling backwards while climbing a hill could cause a rollover.  
Maintain a steady speed when climbing a hill.

*If you lose all forward speed:*

Apply the brakes gradually until the vehicle is fully stopped. Place the transmission in reverse and slowly allow the vehicle to roll straight downhill while applying light brake pressure to control speed.

*If you begin rolling downhill:*

Never apply engine power. Apply the brakes gradually until the vehicle is fully stopped. Place the transmission in reverse and slowly allow the vehicle to roll straight downhill while applying light brake pressure to control speed.

### OPERATING IN UNFAMILIAR TERRAIN



Failure to use extra caution when operating on unfamiliar terrain could result in an accident or rollover.



Unfamiliar terrain may contain hidden rocks, bumps, or holes that could cause loss of control or rollover.

Travel slowly and use extra caution when operating on unfamiliar terrain. Always be alert to changing terrain conditions.

### OPERATING IMPROPERLY IN REVERSE



Improperly operating in reverse could result in a collision with an obstacle or person. Always follow proper operating procedures as outlined in this manual.

Before shifting into reverse gear, always check for obstacles or people behind the vehicle. When it's safe to proceed, back slowly.

---

## SKIDDING OR SLIDING

 CAUTION

Failure to use extra caution when operating on excessively rough, slippery or loose terrain could cause loss of traction, loss of control, accident or rollover. Do not operate on excessively slippery surfaces. Always slow down and use additional caution when operating on slippery surfaces.

 CAUTION

Skidding or sliding due to loss of traction can cause loss of control or rollover (if tires regain traction unexpectedly). Always follow proper procedures for operating on slippery surfaces as described in this owner's manual.

## OPERATING OVER OBSTACLES

 CAUTION

Improperly operating over obstacles could cause loss of control or rollover. Before operating in a new area, check for obstacles. Avoid operating over large obstacles such as large rocks and fallen trees. Always follow the proper procedures outlined in this manual when operating over obstacles.

## OPERATING THROUGH WATER

 CAUTION

Operating through deep or fast-flowing water can cause loss of traction, loss of control, rollover or accident. Never operate in fast-flowing water or in water that exceeds the floor level of the vehicle.

Always follow proper procedures for operating in water as described in this owner's manual.

Wet brakes will have reduced stopping ability. After leaving water, test the brakes. Apply them lightly several times while driving slowly. The friction will help dry out the pads.

## SAFETY

---

### OPERATING ON FROZEN BODIES OF WATER

#### WARNING

Serious injury or death can result if the vehicle and/or the operator fall through the ice. Never operate the vehicle on a frozen body of water unless you have first verified that the ice is sufficiently thick to support the weight and moving force of the vehicle, you and your cargo, together with any other vehicles in your party.

Always check with local authorities and residents to confirm ice conditions and thickness over your entire route. Vehicle operators assume all risk associated with ice conditions on frozen bodies of water.

### OPERATING A DAMAGED VEHICLE

#### CAUTION

Operating a damaged vehicle can result in an accident. After any rollover or other accident, have a qualified service dealer inspect the entire machine for possible damage, including (but not limited to) seat belts, rollover protection devices, brakes, throttle, and steering systems.

### IMPROPER CARGO LOADING

Overloading the vehicle or carrying cargo improperly may cause changes in stability and handling, which could cause loss of control or an accident.

- Always follow the instructions in this owner's manual for carrying cargo.
- Never exceed the stated load capacity for this vehicle.
- Cargo should be properly distributed and securely attached.
- Reduce speed when carrying cargo or pulling a trailer. Allow a greater distance for braking.

### POOR VISIBILITY

#### CAUTION

Operating this vehicle in darkness or inclement weather could result in a collision or accident, especially if operating on a road or street. This vehicle is not equipped with highway-approved lights. Operate this vehicle off-road only. Use caution and drive at reduced speeds in conditions of reduced visibility such as fog, rain and darkness. Clean headlights frequently and replace burned out headlamps promptly.

## HOT EXHAUST SYSTEMS

### WARNING

Exhaust system components are very hot during and after use of the vehicle. Hot components can cause burns and fire. Do not touch hot exhaust system components. Always keep combustible materials away from the exhaust system.

Use caution when traveling through tall grass, especially dry grass and when traveling through muddy conditions. Always inspect the underside of the vehicle and areas near the exhaust system after driving through tall grass, weeds, brush, other tall ground cover, and muddy conditions. Promptly remove any grass, debris or foreign matter clinging to the vehicle and pay particular attention to the exhaust system area.



## EXPOSURE TO EXHAUST

### CAUTION

Engine exhaust fumes are poisonous and can cause loss of consciousness or death in a short time. Never start the engine or let it run in an enclosed area. Operate this vehicle only outdoors or in well-ventilated areas.

## UNAUTHORIZED USE OF THE VEHICLE

Leaving the keys in the ignition can lead to unauthorized use of the vehicle by someone under the age of 16, without a drivers license, or without proper training. This could result in an accident or rollover. Always remove the ignition key when the vehicle is not in use.

# SAFETY

---

## EQUIPMENT MODIFICATIONS

Your POLARIS vehicle is designed to provide safe operation when used as directed. Modifications to your vehicle may negatively impact vehicle stability. Failure of critical machine components may result from operation with any modifications, especially those that increase speed or power. This vehicle may become less stable at speeds higher than those for which it is designed. Loss of control may occur at higher speeds.

Do not install any non-POLARIS-approved accessory or modify the vehicle for the purpose of increasing speed or power. Any modifications or installation of non-POLARIS-approved accessories could create a substantial safety hazard and increase the risk of bodily injury.

The POLARIS limited warranty on your POLARIS vehicle will be terminated if any non-POLARIS approved equipment and/or modifications have been added to the vehicle that increase speed or power.

The addition of certain accessories, including (but not limited to) mowers, blades, tires, sprayers, or large racks, may change the handling characteristics of the vehicle. Use only POLARIS-approved accessories, and familiarize yourself with their function and effect on the vehicle.

The addition of certain accessories, including (but not limited to) overhead audio speakers, may change the forward clearance in the vehicle. Workplace safety regulations may require the use of safety glasses, safety shoes, and a hard hat or helmet. Familiarize yourself with local requirements, be prepared for operating conditions, and wear the appropriate safety gear. Polaris recommends selecting a hard hat or helmet that is compatible with the equipment on your vehicle and provides the greatest amount of forward clearance. Always wear a hard hat or helmet that meets or exceeds the specifications in this owner's manual. Refer to the Personal Protective Equipment section of this owner's manual for more information. Use only POLARIS-approved accessories.

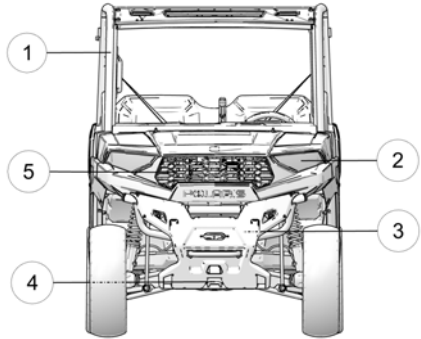
**FOR MORE INFORMATION ABOUT SAFETY IN THE UNITED STATES call POLARIS at 1-800-342-3764.**



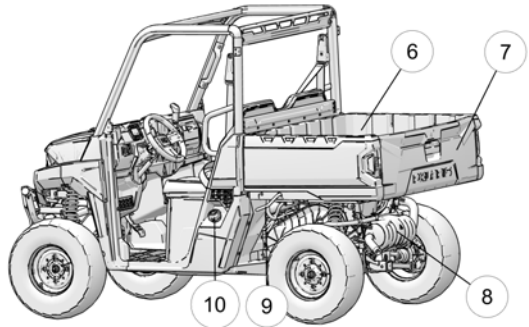
# FEATURES AND CONTROLS

## COMPONENT LOCATIONS

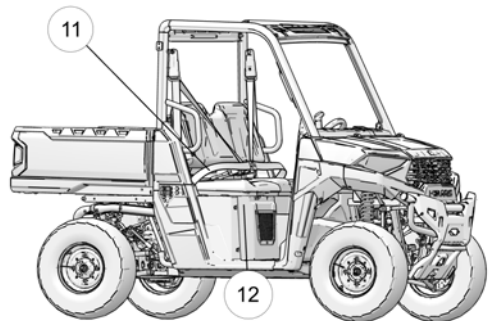
- ① OPS (Occupant Protection System)
- ② Headlight
- ③ Front Bumper/ Brush Guard
- ④ Tie Down Point
- ⑤ Radiator (behind removable grille)



- ⑥ Cargo Box
- ⑦ Tailgate
- ⑧ Muffler (Spark Arrestor)
- ⑨ Cargo Box Lever
- ⑩ Fuel Cap



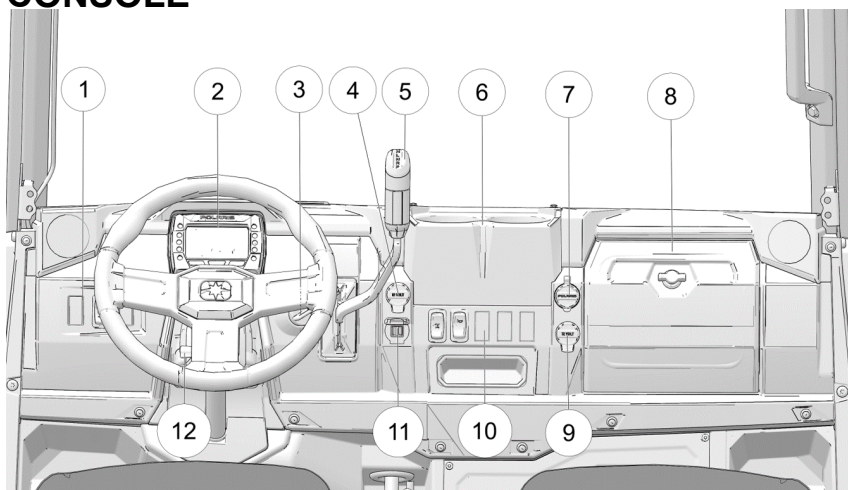
- ⑪ Seatbelt
- ⑫ Electrical Compartment (under seat)



## FEATURES AND CONTROLS

---

### CONSOLE



- ① Left Switch Panel
- ② Instrument Cluster
- ③ Ignition Switch
- ④ 12V Auxiliary Port
- ⑤ Gear Selector (Shifter)
- ⑥ Cup Holder
- ⑦ Battery Trickle Charging Port (if equipped)
- ⑧ Storage Compartment
- ⑨ 12V Auxiliary Port (if equipped)
- ⑩ Right Switch Panel
- ⑪ Dual USB Outlets (if equipped)
- ⑫ Steering Wheel Adjustment Lever

### GEAR SELECTOR

Low gear is the primary driving range for this vehicle. High gear is intended for use on hard-packed surfaces with light loads. Using high gear for heavy loads, hilly terrain or in wet, muddy conditions will increase the chance of drive belt burning. See the Drive Belt Wear/Burn section for details.

H: High Gear

L: Low Gear

N: Neutral

R: Reverse

P: Park

To shift gears, brake to a complete stop. When the engine is idling, move the lever to the desired gear.

#### NOTICE

Shifting gears with the engine speed above idle or while the vehicle is moving could cause transmission damage. Always shift when the vehicle is stationary and the engine is at idle.

#### TIP

Maintaining shift linkage adjustment is important to assure proper transmission function. See your dealer if you experience any shifting problems.

### USING LOW GEAR

Always shift into low gear for any of the following conditions.

- Operating in rough terrain or over obstacles
- Loading the vehicle onto a trailer
- Towing heavy loads
- Driving frequently at low RPM or at ground speeds below 11 km/h (7 MPH)

### ADJUSTABLE STEERING WHEEL

The steering wheel can be tilted upward or downward for rider preference.

Lift and hold the adjustment lever toward you while moving the steering wheel upward or downward. Release the lever when the steering wheel is at the desired position.

## FEATURES AND CONTROLS

---

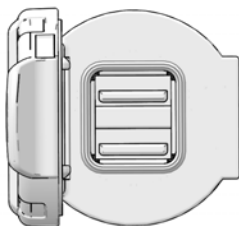
### AUXILIARY OUTLET

The vehicle is equipped with 12-volt accessory outlets on the dash. Use the outlets to power an auxiliary light or other optional accessories or lights. For service, the dash outlet connection is under the dash.



### IF EQUIPPED: USB OUTLETS

The USB outlets can be used to power accessories like a cell phone charger or a Bluetooth® speaker.



### BATTERY TRICKLE-CHARGING PORT

The vehicle is equipped with a dedicated port for trickle-charging the battery during periods of extended inactivity.

If you do not drive the vehicle for more than TWO WEEKS, Polaris recommends using a BatteryMINDer® charger, which can be ordered through your dealer.

Polaris provides a charging accessory with your vehicle that allows easy connection to the battery through the Battery Trickle-Charging Port, located on the dash. While charging, place the charger outside of the vehicle and protect it from moisture.



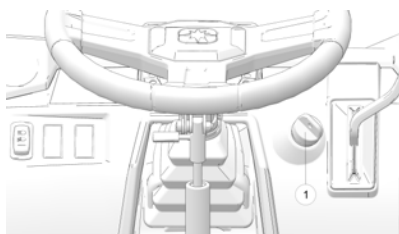
## SWITCHES

### MODE BUTTON

The MODE button is located on the instrument cluster. Use the MODE button to toggle through mode options available in the instrument cluster.

### IGNITION SWITCH

The ignition switch ① is a three-position, key-operated switch. The key can be removed from the switch when it is in the OFF position.

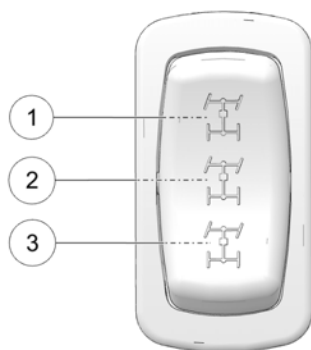


OFF	The engine is off. Electrical circuits are off, except for the Pulse Bar.
ON	Electrical circuits are on. Electrical equipment can be used.
START	Turn the key to the START position to engage the electric starter. The key returns to the ON position when released.

### DRIVELINE MODE SWITCH

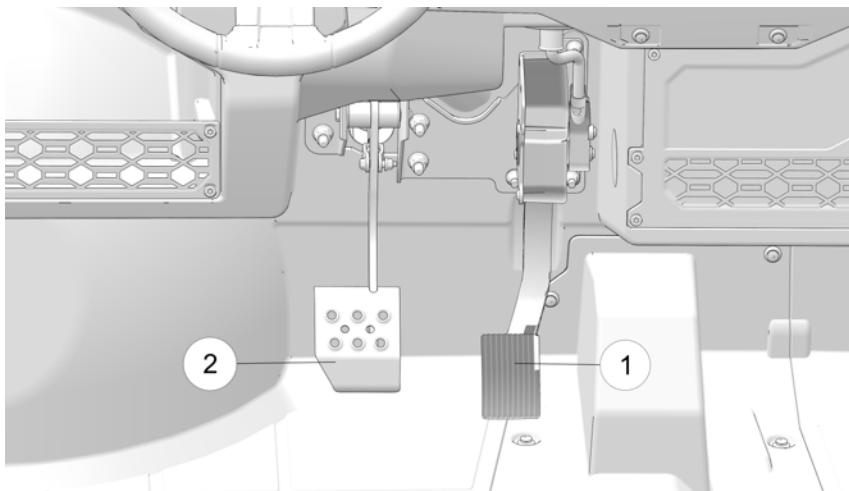
The Driveline Mode Switch has three positions: All Wheel Drive (AWD), Differential Lock/Two Wheel Drive (2WD) and Off (Turf Mode).

- ① **AWD:** Press the top of the switch to engage All Wheel Drive (AWD).
- ② **2WD:** Move the switch to the center position to lock the differential and operate in two wheel drive (2WD).
- ③ **TURF Mode:** Press the bottom of the switch for Turf Mode (unlocked differential power). In Turf Mode, the rear drive wheels operate independently depending on tire traction. This mode of operation is well suited to turf driving or when active traction is not needed.



### THROTTLE PEDAL

Push the throttle pedal ① down to increase engine speed. Spring pressure returns the pedal to the rest position when released. Always check that the throttle pedal returns normally before starting the engine.



#### TIP

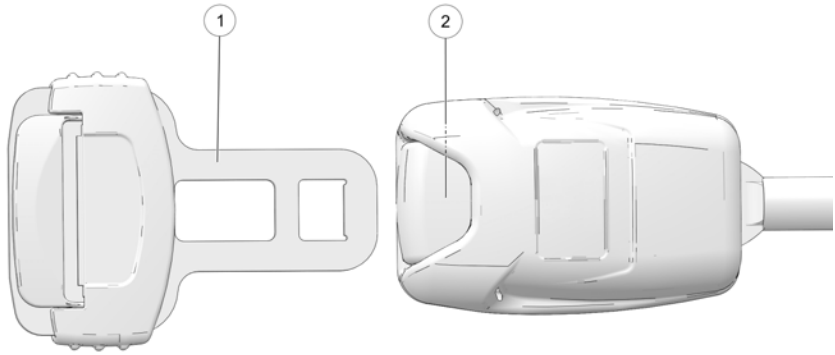
If the throttle pedal and brake pedal are applied simultaneously, engine power may be limited.

### BRAKE PEDAL

Depress the brake pedal ② to slow or stop the vehicle. Apply the brakes while starting the engine.

## SEAT

### SEAT BELTS



This vehicle is equipped with three-point lap and diagonal seat belts for the operator and passenger. Always make sure the seat belts are secured for all riders before operating. The driver's seat belt is equipped with a seat belt interlock. Vehicle speed will be limited to 15 MPH (24 km/h) if the seat belt is not secured.

The center of the seat is NOT equipped with a seat belt. Never allow a passenger to ride between the operator and passenger seats.

#### WARNING

Falling from a moving vehicle could result in serious injury or death. Always fasten your seat belt securely before operating or riding in the vehicle.

To wear the seat belt properly, follow this procedure:

1. For 3-point belts, pull the seat belt latch ① downward and across your chest toward the buckle at the inner edge of the seat. The belt should fit snugly across your hips and diagonally across your chest. Make sure the belt is not twisted.
2. Push the latch plate ① into the buckle ② until it clicks.
3. Release the strap, and pull to tighten.
4. To release the seat belt, press the square red button in the buckle's center.

## FEATURES AND CONTROLS

---

### SEAT BELT INSPECTION

Inspect all seat belts for proper operation before each use of the vehicle.

1. Push the latch plate into the buckle until it clicks. The latch plate must slide smoothly into the buckle. A click indicates that it's securely latched.
2. Push the red release latch in the middle of the buckle to make sure it releases freely.
3. Pull each seat belt completely out and inspect the full length for any damage, including cuts, wear, fraying or stiffness. If any damage is found, or if the seat belt does not operate properly, have the seat belt system checked and/or replaced by an authorized dealer.
4. To clean dirt or debris from the seat belts, sponge the straps with mild soap and water. Do not use bleach, dye or household detergents. Rinse the entire length of the belt webbing. Use a garden hose to flush out the retractor and latch housings regularly.

### SEAT AND STORAGE COMPARTMENTS

The electrical compartment is located under the center rear-most seat. Never use this area for storage. Storage compartments are located under all other seats. Remove the storage bin under the right rear-most passenger seat to access the battery.

If your model is equipped with a storage console and cup holders located between the front seats, lift the console lid to access the storage compartment.

Pull the rear edge of a seat upward to release the latch pins from the grommets. Roll the seat forward to access the under-seat area. To completely remove a seat, roll the seat forward and lift the seat tabs from the seat base mounts.

Always make sure all seats are properly installed and securely latched before operating. Push down firmly on the rear of each seat until the latch pins are fully seated into the grommets.

### SEAT REMOVAL

To remove the seat:

1. Lift up on the back of the seat.
2. Detach the seat assembly from the seat hinges.
3. Remove the seat from the vehicle.



### ELECTRONIC POWER STEERING (IF EQUIPPED)

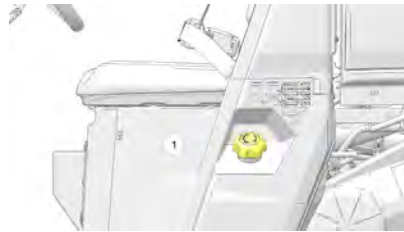
Electronic power steering (EPS) engages when the ignition key is turned to the ON position. EPS remains engaged whether the vehicle is moving or idle. To conserve battery power, the EPS will shut down 5 minutes after the engine is stopped if the key remains in the ON position. The EPS warning indicator will illuminate to indicate the EPS has shut down. Turn the key off and on to reset the unit. If the light remains on after starting the engine, the EPS system is inoperative. See your POLARIS dealer, or other qualified person, as soon as possible for repair. Continued operation could result in permanent damage to the EPS unit and increased steering effort.

### FUEL CAP

#### NOTICE

Never use fuel blends with more than 10% ethanol. Engine damage could occur.

The fuel tank filler cap ① is located on the right-hand side of the vehicle near the passenger seat. When refueling, always use either leaded or unleaded gasoline with a minimum pump octane number of 87 R+M/2 octane. Do not use fuel with ethanol content greater than 10 percent, such as E-85 fuel. Compatible fuels: E5 and E10

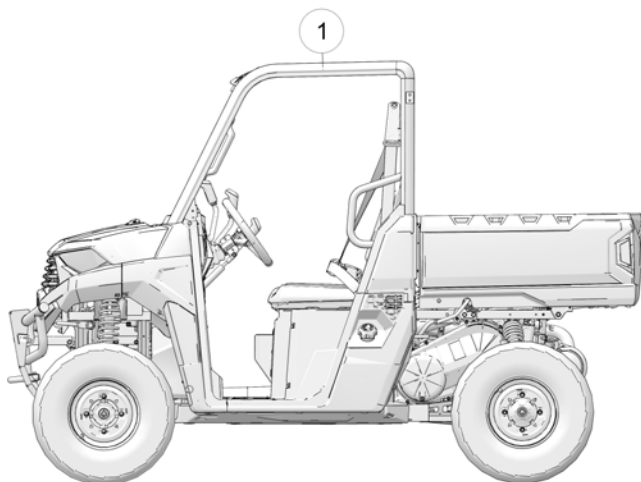


## FEATURES AND CONTROLS

---

### **OCCUPANT PROTECTIVE STRUCTURE (OPS)**

The Occupant Protective Structure (OPS) ① on this vehicle meets ANSI/OPEI B71.9 standards. Always have your authorized POLARIS dealer thoroughly inspect the OPS if it ever becomes damaged in any way.



*No device can assure occupant protection in the event of a rollover. Always follow all safe operating practices outlined in this manual to avoid vehicle rollover.*

#### **WARNING**

Vehicle rollover could cause severe injury or death. Always avoid operating in a manner that could result in vehicle rollover.

### **TRAILER HITCH BRACKET**

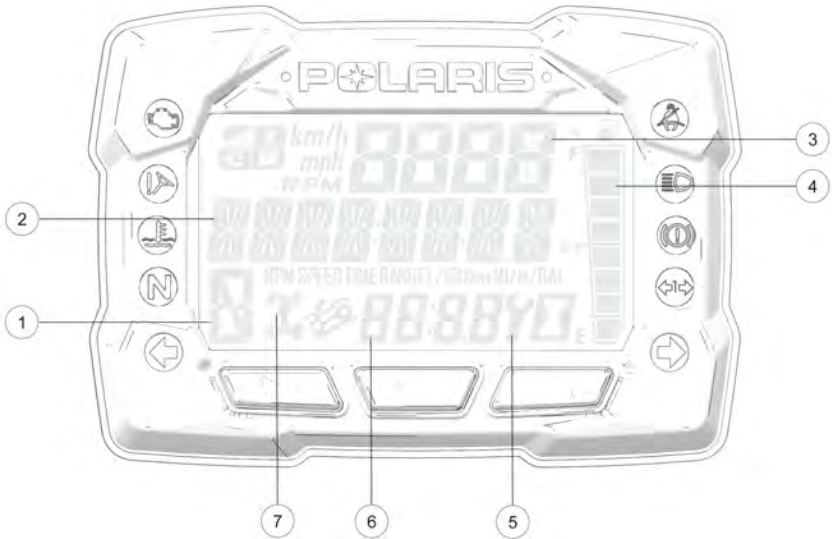
This vehicle is equipped with a receiver hitch bracket for a trailer hitch. To avoid injury and property damage, always heed the warnings and towing capacities outlined on page 75.

# INSTRUMENT CLUSTER

## OVERVIEW

**NOTICE**

Features and telltales vary by model.








DISPLAY AREA	FUNCTION
① Gear Indicator	H = High Gear L = Low Gear N = Neutral R = Reverse Gear P = Park - = Gear Signal Error (or shifter between gears)
② Display Area 2	This area displays odometer, trip meter, trip meter 2, voltage, engine temperature, engine hour meter, programmable service hour interval, ground speed, or engine RPM.
③ Display Area 1	This area displays engine RPM, ground speed, or coolant temperature.
④ Fuel Gauge	The segments of the fuel gauge show the level of fuel in the fuel tank. When the last segment clears, a low fuel warning is activated. All segments including the fuel icon will flash. Refuel immediately.




## FEATURES AND CONTROLS

DISPLAY AREA	FUNCTION
⑤ Service Indicator	A flashing wrench symbol alerts the operator that the preset service interval has been reached. Your POLARIS dealer can provide scheduled maintenance.
⑥ Clock	The clock displays time in a 12-hour or 24-hour format.
⑦ Driveline Mode Indicator	Segments of the indicator illuminate based on driveline mode engaged.

## INDICATOR LAMPS

① Check Engine		This lamp illuminates when the ECM detects a Diagnostic Trouble Code in the engine management system. Do not operate the vehicle if this warning appears. Serious engine damage could result. Your authorized POLARIS dealer can assist. This lamp will also illuminate if the vehicle is keyed on but not started; it will turn off once the vehicle is started.
② EPS Warning (if equipped)		This lamp illuminates to indicate that EPS has shut down. EPS shuts down automatically 5 minutes after the engine is turned off if the key remains in the ON position. Turn the key off and on to reset the unit. If the light remains on after starting the engine, the EPS system is inoperative. Your POLARIS dealer can assist.
③ Engine Hot		This lamp illuminates to indicate an overheated engine. If the indicator flashes, a severe overheating condition exists and the engine will shut down automatically. The vehicle will not start again until the engine has sufficiently cooled down. Whenever this lamp illuminates, the engine load should be reduced in any way possible to avoid overheating and shutting down the engine.
④ Low Oil Pressure		This lamp illuminates to indicate oil pressure in the engine has dropped. Always keep engine oil at recommended levels. See the Maintenance chapter for details.
⑤ Seat Belt		This lamp flashes for several seconds when the key is turned to the ON position. The lamp will keep flashing as long as riders' seat belts are not connected.

## FEATURES AND CONTROLS

⑥ High Beam		This lamp illuminates when the headlamp switch is set to high beam.
⑦ Park Brake Indicator		Not used on this vehicle.
⑧ Glow Plug Indicator		Not used on this vehicle.

## FEATURES AND CONTROLS

### DISPLAY AREA 1

Pressing the MODE button will change the information displayed in Area 1 ①.



DISPLAY AREA 1	FUNCTION
Speed	The vehicle's speed will be displayed in mph, or km/h.
Engine Temperature	The vehicle's current engine temperature will be displayed.
RPM	The vehicle's RPM will be displayed.

## DISPLAY AREA 2

Toggle the Up/Down buttons to change the information displayed in Area 2 ②.



DISPLAY AREA 2	FUNCTION
Odometer	The vehicle's odometer reading will be displayed.
Engine Temperature	The vehicle Engine Temperature will be displayed.
Trip 1	The vehicle Trip 1 mileage will be displayed.
Trip 2	The vehicle Trip 2 mileage will be displayed.
RPM	The vehicle RPM will be displayed.
Voltage	The vehicle's current battery voltage will be displayed.
Speed	The vehicle's current speed will be displayed.
Engine Hours	The vehicle's engine hours will be displayed.
Service Hours	The vehicle's service hours will be displayed.

## FEATURES AND CONTROLS

---

### OPTIONS MENU

From the options menu you can view diagnostic codes, access the advanced menu, set the clock, and much more. For a full list of available options see below.

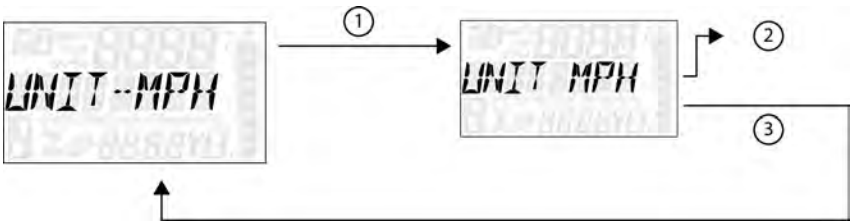
To enter the Options Menu, press and hold the MODE button.



OPTIONS MENU	NOTES
Diagnostic Codes	Only displays if fault codes are present or stored
Speed Limit	Set maximum speed
Units - Distance	Select MPH or KPH
Units - Temp	Select between °F and °C
Clock (if equipped)	Select between 12H or 24H, and set time
Backlight Color	Select between Blue or Red
Backlight Level	Set backlight brightness level
Service Hours	View/Set Service hours
Exit Menu	Exit



## UNIT SELECTION DISTANCE



1. Press and hold the MODE button to enter the Options Menu.

### NOTICE

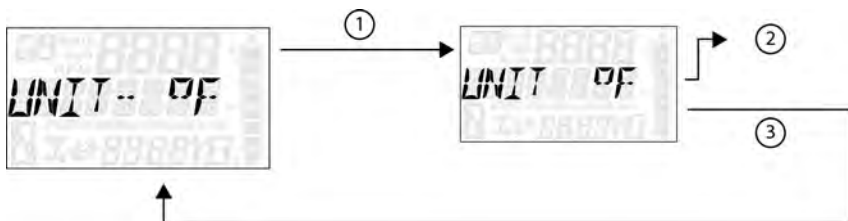
"OPTIONS" will display on the screen for 3 seconds before showing first menu item.

2. Select "Units-Distance" from the Options Menu by pressing the MODE button.

Reference the image shown above:

- ① Press the MODE button.
  - ② Toggle the Up/Down Buttons to change the units (MPH or KPH)
  - ③ With the correct unit displayed, Press the mode button which will set the unit and return to the Options Menu.
3. To exit the Options Menu the user can select Exit Menu function from Options Menu, can hold Mode Button and exit out of Options Menu, or not press any button for 10 seconds, which will exit out of the Options Menu.

### UNIT SELECTION TEMPERATURE



1. Press and hold the MODE button to enter the Options Menu.

#### NOTICE

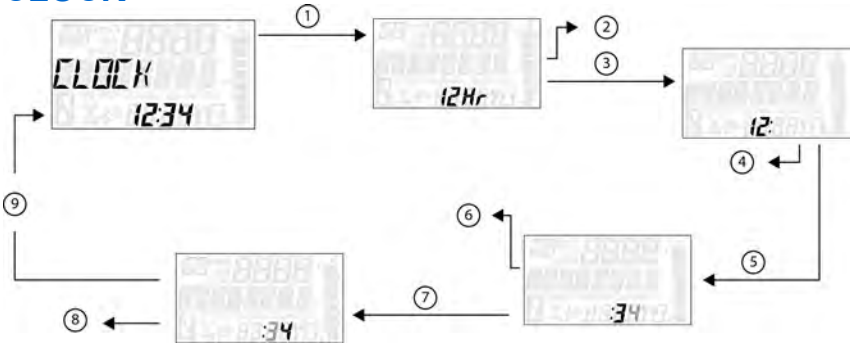
"OPTIONS" will display on the screen for 3 seconds before showing first menu item.

2. Select "Units - Temp" from the Options Menu by pressing the MODE button.

Reference the image shown above:

- ① Press the MODE button.
  - ② Toggle the Up/Down Buttons to change the units (°F or °C)
  - ③ With the correct unit displayed, Press the mode button which will set the unit and return to the Options Menu.
3. To exit the Options Menu the user can select Exit Menu function from Options Menu, can hold Mode Button and exit out of Options Menu, or not press any button for 10 seconds, which will exit out of the Options Menu.

## CLOCK



1. Press and hold the MODE button to enter the Options Menu.

### NOTICE

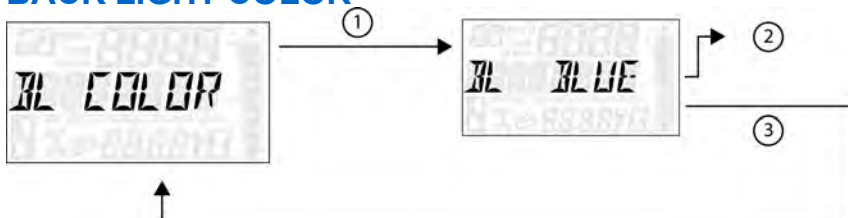
"OPTIONS" will display on the screen for 3 seconds before showing first menu item.

2. Select "Clock" from the Options Menu by pressing the MODE button.

Reference the image shown above:

- ① Press the MODE button.
  - ② Toggle the Up/Down Buttons to change the units (12H or 24H)
  - ③ With the correct unit displayed, Press the mode button which will set the unit.
  - ④ Toggle the Up/Down Buttons to change the units (Cycles Hours)
  - ⑤ With the correct unit displayed, Press the mode button which will set the unit.
  - ⑥ Toggle the Up/Down Buttons to change the units (Cycles 10s of Minutes)
  - ⑦ With the correct unit displayed, Press the mode button which will set the unit.
  - ⑧ Toggle the Up/Down Buttons to change the units (Cycles 1s of Minutes)
  - ⑨ With the correct unit displayed. Press the mode button which will set the unit and return to the Options menu.
3. To exit the Options Menu the user can select Exit Menu function from Options Menu, can hold Mode Button and exit out of Options Menu, or not press any button for 10 seconds, which will exit out of the Options Menu.

### BACK LIGHT COLOR



1. Press and hold the MODE button to enter the Options Menu.

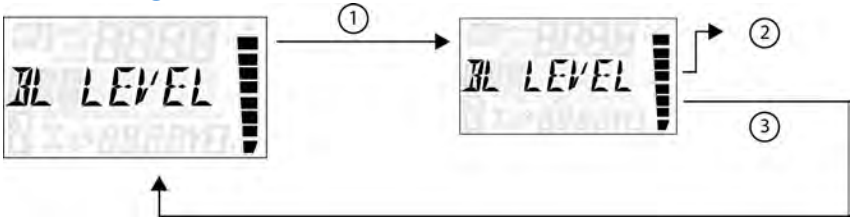
#### NOTICE

"OPTIONS" will display on the screen for 3 seconds before showing first menu item.

2. Select "Backlight Color" from the Options Menu by pressing the MODE button.

Reference the image shown above:

- ① Press the MODE button.
  - ② Toggle the Up/Down Buttons to change the units (Blue or Red)
  - ③ With the correct unit displayed, Press the mode button which will set the unit and return to the Options Menu.
3. To exit the Options Menu the user can select Exit Menu function from Options Menu, can hold Mode Button and exit out of Options Menu, or not press any button for 10 seconds, which will exit out of the Options Menu.

**BACK LIGHT LEVEL**

1. Press and hold the MODE button to enter the Options Menu.

**NOTICE**

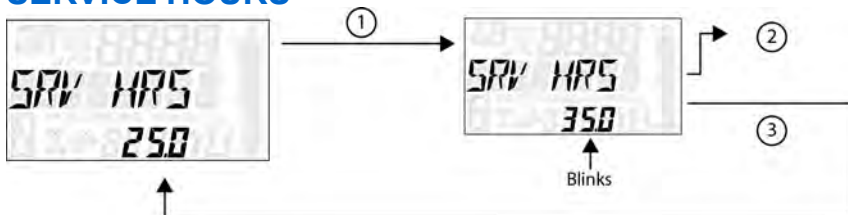
"OPTIONS" will display on the screen for 3 seconds before showing first menu item.

2. Select "Backlight Level" from the Options Menu by pressing the MODE button.

Reference the image shown above:

- ① Press the MODE button.
  - ② Toggle the Up/Down Buttons to change the units (Increase or Decrease Level)
  - ③ With the correct unit displayed, Press the mode button which will set the unit and return to the Options Menu.
3. To exit the Options Menu the user can select Exit Menu function from Options Menu, can hold Mode Button and exit out of Options Menu, or not press any button for 10 seconds, which will exit out of the Options Menu.

### SERVICE HOURS



1. Press and hold the MODE button to enter the Options Menu.

#### NOTICE

“OPTIONS” will display on the screen for 3 seconds before showing first menu item.

2. Select “Service Hours” from the Options Menu by pressing the MODE button.

Reference the image shown above:

- ① Press the MODE button.
- ② Toggle the Up/Down Buttons to change the units (0, 10, 0 - 200)
- ③ With the correct unit displayed, press the MODE button, which will set the unit and return you to the Options Menu.

#### NOTICE

To reset service hours after they have counted down to “0.0”, reselect the existing setpoint or select a new service hour value.

3. To exit the Options Menu the user can select Exit Menu function from Options Menu, can hold Mode Button and exit out of Options Menu, or not press any button for 10 seconds, which will exit out of the Options Menu.

## ADJUSTABLE SPEED LIMITING



1. Press and hold the MODE button to enter the Options Menu.
2. Use the up and down buttons to navigate to SPD LMT and select it by pressing the MODE button.
3. ENTER PIN will scroll across the screen. Enter the 4-digit PIN by using the up and down buttons to change the digits and the MODE button to select each digit.
4. If the wrong PIN is entered, the screen will read WRONG PIN before going back to the ENTER PIN screen. If you forget your PIN, your authorized POLARIS dealer can provide assistance.
5. If the correct PIN is entered, you will enter the Adjustable Speed Limiting menu. The screen will read MAX SPEED and will either display the currently set max speed or the word OFF if there is no max speed currently set. From here, you can use the up and down buttons to navigate to the CHANGE PIN screen and the EXIT screen. (If you want to exit the Adjustable Speed Limiting Menu, press the MODE button on the EXIT screen.)

### NOTE

Vehicles with Adjustable Speed Limiting equipped come with the max speed set at 25 mph (40 km/h) by default.

## FEATURES AND CONTROLS

### WARNING

Speeds of 30 mph (48 km/h) and above require the use of a DOT-approved helmet. See page 11 for more information.

6. To change the max speed:
  - a. Press the MODE button on the MAX SPEED screen.
  - b. Use the up and down buttons to toggle between the different settings: 15 mph (24 km/h), 20 mph (32 km/h), 25 mph (40 km/h), 30 mph (48 km/h), 35 mph (56 km/h), or OFF. When MAX SPEED is set to OFF, the vehicle's max speed is 40 mph (64 km/h).
  - c. When your preferred setting is displayed on the screen, press the MODE button to select it. This will change the max speed to your selected value and return you to the Options Menu.
  - d. The max speed will remain at the selected value even if the vehicle is turned off and back on again. It does not need to be reset every time the vehicle is restarted.





7. To change the PIN:
  - a. Press the MODE button on the CHANGE PIN screen.
  - b. ENTER NEW PIN will scroll across the screen. Enter the new 4-digit PIN by using the up and down buttons to change the digits and the MODE button to select each digit.
  - c. Once you have selected all 4 digits, NEW PIN SET will scroll across the screen. The screen will then go back to its default display.



## FEATURES AND CONTROLS

### DIAGNOSTIC CODE

Diagnostic Code Screen will show available MIL that has come on during that ignition cycle.

To access the Diagnostic Code Screen, do the following:

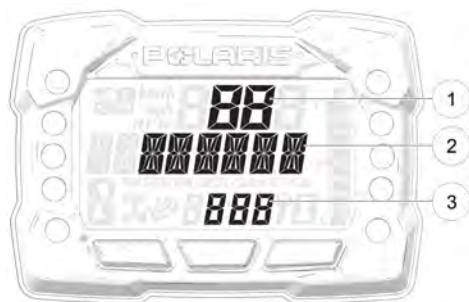
1. Press and hold the MODE button to enter the Options Menu. "OPTIONS" will display on the screen for 3 seconds before showing first menu item.
2. Select "Diagnostic Codes" from the Options Menu by pressing the MODE button.

Toggle the Up/Down Buttons to cycle through Code(s).

#### NOTICE

This option will only be available if a fault code was set or is active during the current ignition key 'on' cycle. Turning off the ignition will clear any save fault codes from the gauge.

- ① Display area 1 will show FMI
- ② Display area 2 will show SPN
- ③ Clock Area will show Count.



## NOTICE

When the gauge is displaying a fault code, the warning telltale (check engine or EPS) will blink to indicate which controller set the fault code.

- To exit the Options Menu the user can select Exit Menu function from Options Menu, can hold Mode Button and exit out of Options Menu, or not press any button for 10 seconds, which will exit out of the Options Menu.

## **DIAGNOSTIC DISPLAY CODE DEFINITIONS**

**Open Load:** There is a break in the wires that lead to the item listed in the chart (injector, fuel pump, etc.), or the item has failed.

**Short-to-Ground:** The wire is shorted to ground between the electronic control unit and the item listed in the chart.

**Shorted Load:** The wires leading to the item listed in the chart are shorted together, or the item has shorted internally.

**Short-to-Battery:** The wire leading from the item listed in the chart to the electronic control unit is shorted to a wire at battery voltage.

<b>DIAGNOSTIC CODES</b>			
<b>COMPONENT</b>	<b>CONDITION</b>	<b>SPN</b>	<b>FMI</b>
Throttle Position Sensor	Voltage Too High	51	3
	Voltage Too Low	51	4
Engine Temperature Sensor	Voltage Too High	110	3
	Voltage Too Low	110	4
	Temperature Too High	110	16
	Engine Overheat Shutdown	110	0
Intake Air Temperature Sensor	Voltage Too High	105	3
	Voltage Too Low	105	4
Manifold Absolute Pressure Sensor	Voltage Too High	102	3
	Voltage Too Low	102	4
	Signal Out of Range	102	2
Crankshaft Position Sensor	Circuit Fault	636	8
	Plausibility Fault	636	2

## FEATURES AND CONTROLS

DIAGNOSTIC CODES			
COMPONENT	CONDITION	SPN	FMI
Vehicle Speed Signal	Speed Too High	84	8
	Plausibility Fault	84	2
Gear Sensor Signal	Voltage Too Low	523	4
	Voltage Too High	523	3
	Signal Fault	523	2
Injector 1 (MAG) (SDI Part Load)	Driver Circuit Open/Grounded	651	5
	Driver Circuit Short to B+	651	3
	Driver Circuit Grounded	651	4
Injector 2 (PTO) (SDI Part Load)	Driver Circuit Open/Grounded	652	5
	Driver Circuit Short to B+	652	3
	Driver Circuit Grounded	652	4
Ignition Coil Primary Driver 1 (MAG)	Driver Circuit Short to B+	1268	3
Ignition Coil Primary Driver 2 (PTO)	Driver Circuit Short to B+	1269	3
Fuel Pump Driver Circuit	Driver Circuit Open/Grounded	1347	5
	Driver Circuit Short to B+	1347	3
	Driver Circuit Grounded	1347	4
Fan Relay Driver Circuit	Driver Circuit Open/Grounded	1071	5
	Driver Circuit Short to B+	1071	3
	Driver Circuit Grounded	1071	4

## FEATURES AND CONTROLS

DIAGNOSTIC CODES			
COMPONENT	CONDITION	SPN	FMI
Idle Air Control	Driver Circuit Open/Grounded	634	5
	Driver Circuit Short to B+	634	3
	Driver Circuit Grounded	634	4
	Position Out of Range	634	7
Starter Enable Circuit	Driver Circuit Open/Grounded	1321	5
	Driver Circuit Short to B+	1321	3
	Driver Circuit Grounded	1321	4
Chassis Relay	Driver Circuit Open/Grounded	520208	5
	Driver Circuit Short to B+	520208	3
	Driver Circuit Grounded	520208	4
All Wheel Drive Control	Driver Circuit Open/Grounded	520207	5
	Driver Circuit Short to B+	520207	3
	Driver Circuit Grounded	520207	4
System Power	Voltage Too High	168	3
	Voltage Too Low	168	4
Throttle Safety Signal	Voltage Too High	520194	3
	Voltage Too Low	520194	4
	Signal Out of Range	520194	2
	Throttle Stuck	520194	7
Active Descent Control System	Driver Circuit Open/Grounded	520203	5

## FEATURES AND CONTROLS

DIAGNOSTIC CODES			
COMPONENT	CONDITION	SPN	FMI
	Driver Circuit Short to B+	520203	3
	Driver Circuit Grounded	520203	4
Idle Speed	Speed Too High	520211	3
	Speed Too Low	520211	4
Right Hand Control	Momentary Driveline Mode Switch Press	520468	31

DIAGNOSTIC CODES			
COMPONENT	CONDITION	SPN	FMI
<b>EPS MODELS ONLY</b>			
Vehicle Speed Sensor	Data Valid But Above Normal Operational Range - Most Severe Level	84	0
	Data Erratic, Intermittent Or Incorrect	84	2
	Abnormal Rate Of Change	84	10
	Received Network Data In Error	84	19
System Power	Data Valid But Above Normal Operational Range - Most Severe Level	168	0
	Voltage Above Normal, Or Shorted To High Source	168	3
	Voltage Below Normal, Or Shorted To Low Source	168	4
Engine Speed	Data Valid But Above Normal Operational Range - Most Severe Level	190	0

# FEATURES AND CONTROLS

DIAGNOSTIC CODES			
COMPONENT	CONDITION	SPN	FMI
<b>EPS MODELS ONLY</b>			
	Data Erratic, Intermittent Or Incorrect	190	2
	Received Network Data In Error	190	19
ECU Memory	Bad Intelligent Device Or Component	628	12
	Out Of Calibration	628	13
Calibration	Out Of Calibration	630	13
Steering Over Current Shut Down	Current Above Normal Or Grounded Circuit	520221	6
Steering Excessive Current Error	Current Above Normal Or Grounded Circuit	520222	6
Steering Torque Partial Failure	Condition Exists	520223	31
Steering Torque Full Failure	Condition Exists	520224	31
EPAS Inverter Temperature	Data Valid But Above Normal Operational Range - Most Severe Level	520225	0
	Data Valid But Above Normal Operating Range - Moderately Severe Level	520225	16
EPAS Communications Receive Data Error	Data Erratic, Intermittent Or Incorrect	520226	2
	Condition Exists	520226	31
Position Encoder Error	Root Cause Not Known	520228	11
	Bad Intelligent Device Or Component	520228	12
	Condition Exists	520228	31
EPAS Software Error	Bad Intelligent Device Or Component	520229	12

## FEATURES AND CONTROLS

DIAGNOSTIC CODES			
COMPONENT	CONDITION	SPN	FMI
EPS MODELS ONLY			
	Condition Exists	520229	31
EPAS Power Save Condition	Condition Exists	520231	31
EPS SEPIC Voltage Error	Voltage Above Normal, Or Shorted To High Source	524086	3
	Voltage Below Normal, Or Shorted To Low Source	524086	4



---

## OPERATION

### IMPORTANT INFORMATION

** WARNING**

Failure to operate the vehicle properly can result in a collision, loss of control, accident or rollover, which may result in serious injury or death. Read and understand all safety warnings outlined in the safety section of this owner's manual.

### VEHICLE BREAK-IN PERIOD

The break-in period for your new vehicle is the first 25 hours of operation. No single action on your part is as important as a proper break-in period. Careful treatment of a new engine will result in more efficient performance and longer life for the engine. Perform the following procedures carefully.

**NOTICE**

Excessive heat build-up during the first 3 hours of operation will damage close-fitted engine parts and drive components. Do not operate at full throttle or high speeds during the first 3 hours of use.

### **ENGINE AND DRIVETRAIN BREAK-IN**

1. Fill the fuel tank with clean, fresh fuel.
2. Check the oil level. Add the recommended oil as needed to maintain the oil level in the normal (safe) operating range.
3. Drive slowly at first. Select an open area that allows room to familiarize yourself with vehicle operation and handling.
4. Vary throttle positions. Do not operate at sustained idle.
5. Perform regular checks on fluid levels, controls and areas outlined on the daily pre-ride inspection checklist.
6. During the break-in period, change both the oil and the filter at 25 hours.
7. Check fluid levels of transmission and all gearcases after the first 25 hours of operation and every 200 hours thereafter.
8. Pull only light loads.

### **PVT BREAK-IN (CLUTCHES/BELT)**

Always break in the clutches and drive belt of new vehicles, as well as after a belt replacement.

A proper break-in of the clutches and drive belt will ensure a longer life and better performance. Break in the clutches and belt by operating at slower speeds during the break-in period as recommended. Pull only light loads. Avoid aggressive acceleration and high speed operation during the break-in period.

If a belt fails, always clean any debris from the PVT intake and outlet duct and from the clutch and engine compartments when replacing the belt.

## PRE-RIDE INSPECTION

### WARNING

Failure to inspect and verify that the vehicle is in safe operating condition before operating increases the risk of an accident. Always inspect the vehicle before each use to make sure it's in safe operating condition.

ITEM	REMARKS	PAGE
Air Filter	Inspect air filter, ensure it is properly installed; ensure air box cover is secured and fastened. Note: Air filter removal is not needed for visual inspection.	page 120
Steering System	Check for tightness/freeplay in the steering wheel when turned lock to lock	page 126
Front / Rear Suspension	Visually inspect for damages to the control arms / trailing arms / bushings; check for leaking shocks	-
Tires	Check for proper air pressure in all tires; visually inspect for damage; verify there is adequate tread depth	page 127
Wheels / Lug Nuts	Ensure rim is not cracked or bent; verify proper lug torque	page 127
Headlights / Taillights	Ensure all lights are operational; adjust headlight aim, as needed	page 130
Brake System	Check brake fluid level is between MIN and MAX; ensure brake pedal is not soft when pushed; inspect for leaks	page 124
Frame / Body Fasteners	Visually inspect for loose body / frame fasteners	-
Engine Oil Level	Verify oil level is in the SAFE range on the dipstick	page 98
Throttle	Inspect for proper operation and smooth travel	page 36
Seat Belts	Check length of belt for damage, check latches for proper operation	<b>Seat Belt Inspection-</b> page 38
Coolant Level	Verify coolant level is filled to the FULL COLD mark on coolant reservoir (if engine is cold); inspect hose and radiator for leaks	page 112
Chassis / Engine Bay / Exhaust	Remove grass, leaves, foreign matter, and other flammable material or debris, especially near the exhaust system.	-

## OPERATION

---

### STARTING THE ENGINE

1. Position the vehicle on a level surface outdoors or in a well ventilated area.
2. Sit in the driver's seat and fasten the seat belt.
3. Place the transmission in PARK.
4. Apply the brakes. Do not press the throttle pedal while starting the engine.
5. Turn the ignition key past the ON/RUN position to START. Engage the starter for a maximum of five seconds. Release the key when the engine starts.
6. If the engine does not start within five seconds, return the ignition switch to the OFF position and wait five seconds. Repeat steps 5 and 6 until the engine starts.
7. Vary the engine RPM slightly with the throttle to aid in warm up until the engine idles smoothly.

#### NOTICE

Operating the vehicle immediately after starting could cause engine damage. Allow the engine to warm up for several minutes before operating the vehicle.

### STOPPING THE ENGINE

For maximum engine life, allow the engine to idle, without load, for 5 minutes. This will allow the engine components that operate at high temperatures, such as the exhaust system, to cool slightly before the engine is shut down.

1. Release the throttle pedal completely and brake to a complete stop.
2. Place the transmission in PARK.
3. Slowly release the brake pedal and make sure the transmission is in PARK before exiting the vehicle.
4. Turn the engine off and remove the key to prevent unauthorized use.

#### WARNING

A rolling vehicle can cause serious injury. Always place the transmission in PARK when stopping the engine.

---

## BRAKING

1. Release the throttle pedal completely.

### TIP

When the throttle pedal is released completely and the engine speed drops near an idle, the vehicle has no engine braking.

2. Press on the brake pedal evenly and firmly.

### TIP

If the throttle pedal and brake pedal are applied simultaneously, engine power may be limited.

3. Practice starting and stopping (using the brakes) until you're familiar with the controls.

## DRIVING PROCEDURES

1. All riders should wear substantial footwear, long pants and a close-fitting shirt. A hard hat or helmet and approved eye protection are recommended when appropriate for working or riding conditions.
2. Perform the pre-ride inspection.
3. Sit in the driver's seat and fasten the seat belt.
4. Place the transmission in PARK.
5. Start the engine.
6. Apply the service brakes and shift the transmission into gear.
7. Check your surroundings and determine your path of travel.
8. Keeping both hands on the steering wheel, slowly release the brakes and slowly depress the throttle with your right foot to begin driving.
9. Drive slowly. Practice maneuvering and using the throttle and brakes on level surfaces.
10. Do not carry a passenger until you have at least two hours of driving experience with this vehicle.

## OPERATION

---

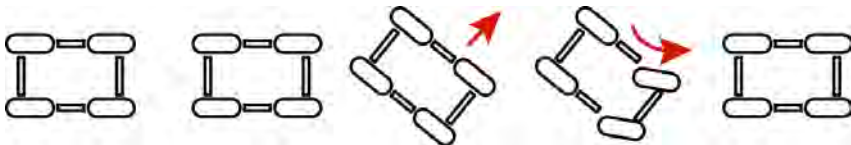
### DRIVING WITH A PASSENGER

1. Perform the pre-ride inspection.
2. Make sure all passengers are at least 12 years of age and tall enough to comfortably and safely sit in a passenger seat with the seat belt secured, put both feet on the floor and grasp the hand hold.
3. All riders should wear substantial footwear, long pants and a close-fitting shirt. A hard hat or helmet and approved eye protection are recommended when appropriate for working or riding conditions.
4. Do not carry more than the recommended number of passengers for your vehicle.
5. Allow a passenger to ride only in a passenger seat.
6. Slow down. Always travel at a speed appropriate for your skills, your passengers' skills, and operating conditions. Avoid unexpected or aggressive maneuvers that could cause discomfort or injury to a passenger.
7. Vehicle handling may change with a passenger and/or cargo on board. Allow more time and distance for braking.
8. Always follow all operating guidelines as outlined on safety labels and in this manual.

### DRIVING ON SLIPPERY SURFACES

#### WARNING

Skidding or sliding can cause loss of control or rollover (if tires regain traction unexpectedly). When operating on slippery surfaces such as ice or loose gravel, reduce speed and use extra caution to reduce the chance of skidding or sliding out of control. Do not operate on excessively slippery surfaces.



When driving on slippery surfaces such as wet trails, loose gravel, or ice, be alert for the possibility of skidding and sliding. Follow these precautions when encountering slippery conditions:

1. Do not operate on excessively rough, slippery or loose terrain.
2. Slow down before entering slippery areas.

3. Maintain a high level of alertness, reading the trail and avoiding quick, sharp turns, which can cause skids.
4. Correct a skid by turning the steering wheel in the direction of the skid. *Never apply the brakes during a skid.*

### DRIVING UPHILL

Whenever traveling uphill, follow these precautions:

1. Avoid excessively steep hills.
2. Always travel straight uphill.
3. Keep both feet on the floor.
4. Always check the terrain carefully before ascending any hill. Never climb hills with excessively slippery or loose surfaces.
5. Proceed at a steady rate of speed and throttle opening. Never open the throttle suddenly.
6. Never go over the crest of a hill at high speed. An obstacle, a sharp drop, or another vehicle or person could be on the other side of the hill.

## OPERATION

---

### **DRIVING ON A SIDEHILL (SIDEHILLING)**

Driving on a sidehill is not recommended. Improper procedure could cause loss of control or rollover. Avoid crossing the side of any hill unless absolutely necessary.

If crossing a sidehill is unavoidable, follow these precautions:

1. Slow down.
2. Exercise extreme caution.
3. Avoid crossing the side of a steep hill.

### **DRIVING DOWNHILL**

When driving downhill, follow these precautions:

1. Avoid excessively steep hills.
2. Always descend a hill with the direction selector switch on forward. Never descend a hill with the switch on neutral.
3. Drive straight downhill. Avoid descending a hill at an angle, which would cause the vehicle to lean sharply to one side. Travel straight downhill when possible.
4. Slow down.
5. Apply the brakes slightly to aid in slowing.



## DRIVING THROUGH WATER

Your vehicle can operate through water up to a maximum recommended depth equal to the floorboards.

### NOTICE

Immersion can result in major damage if the vehicle isn't serviced correctly and promptly. After immersion, always take the vehicle to your dealer service. Do not start the engine! If it's impossible to bring the vehicle to your dealer before starting the engine, perform the service outlined in the Vehicle Immersion section, and take the vehicle to your dealer at the first opportunity.

Follow these procedures when operating through water:

1. Determine water depths and current before entering water.
2. Choose a crossing where both banks have gradual inclines.
3. Proceed slowly, avoiding rocks and obstacles.
4. Avoid operating through deep or fast-flowing water.

### WARNING

The large tires on your vehicle may cause the vehicle to float in deep or fast-flowing water, which could result in loss of control and lead to serious injury or death. Never cross deep or fast-flowing water with your vehicle

5. After leaving water, always dry the brakes by applying light pressure to the pedal repeatedly until braking action is normal.

### NOTE

After running your vehicle in water, it's critical that you perform the services outlined in the Periodic Maintenance Chart. Give special attention to engine oil, transmission oil, front and rear gearcases (if equipped), and all grease fittings.

## OPERATION

---

### DRIVING IN REVERSE

#### NOTICE

Shifting into reverse automatically activates the reverse alert beeper.

Follow these precautions when operating in reverse:

1. Always check for obstacles or people behind the vehicle. Always inspect left and right fields of vision before backing.
2. Always avoid backing downhill.
3. Back slowly.
4. Apply the brakes lightly for stopping.
5. Avoid turning at sharp angles.
6. Never open the throttle suddenly.

### DRIVING OVER OBSTACLES

Follow these precautions when operating over obstacles:

1. Always check for obstacles before operating in a new area.
2. Look ahead and learn to read the terrain. Be constantly alert for hazards such as logs, rocks and low hanging branches.
3. Travel slowly and use extra caution when operating on unfamiliar terrain. Not all obstacles are immediately visible.
4. Avoid operating over large obstacles such as large rocks and fallen trees. If unavoidable, use extreme caution and operate slowly.
5. Always have all passengers dismount and move away from the vehicle before operating over an obstacle that could cause a rollover.

## **PARKING THE VEHICLE**

To park the vehicle, do the following:

1. Apply the brakes. Stop the vehicle on a level surface.
2. When parking inside a garage or other structure, be sure that the structure is well ventilated and that the vehicle is not close to any source of flame or sparks, including any appliance with pilot lights.
3. Place the transmission in PARK.
4. Turn the engine off.
5. Slowly release the brake pedal and make sure the transmission is in PARK before exiting the vehicle.
6. Remove the ignition switch key to prevent unauthorized use.

## **PARKING ON AN INCLINE**

Avoid parking on an incline if possible. If it's unavoidable, follow these precautions:

1. Apply the brakes.
2. Place the transmission in PARK.
3. Turn the engine off.
4. Slowly release the brake pedal and make sure the transmission is in PARK before exiting the vehicle.
5. Block the rear wheels on the downhill side.

### HAULING CARGO

#### WARNING

Hauling cargo improperly can alter vehicle handling and may cause loss of control or brake instability, which can result in serious injury or death. Always follow these precautions when hauling cargo:

Never exceed the maximum weight capacity of the vehicle. When determining the weight you are adding to the vehicle, include the weight of the operator, passengers, non-factory installed accessories, loads in the rack or box and the load on the trailer tongue. The combined weight of these items must not exceed the maximum weight capacity.

#### **REDUCE SPEED AND ALLOW GREATER DISTANCES FOR BRAKING WHEN HAULING CARGO.**

Always load the cargo box with the load as far forward and as low as possible. When operating over rough or hilly terrain, reduce speed and cargo to maintain stable driving conditions.

Always operate the vehicle with extreme care when hauling or towing loads. Slow down and drive in the lowest gear available. Always use LOW gear when towing or hauling heavy loads.

**SECURE ALL LOADS BEFORE OPERATING.** Unsecured loads can create unstable operating conditions, which could result in loss of control of the vehicle.

**OPERATE ONLY WITH STABLE AND SAFELY ARRANGED LOADS.** When handling off-centered loads that cannot be centered, securely fasten the load and operate with extra caution. Always attach the tow load to the hitch point designated for your vehicle.

**HEAVY LOADS CAN CAUSE BRAKING AND CONTROL PROBLEMS.** Use extreme caution when applying brakes with a loaded vehicle. Avoid terrain or situations that may require backing downhill.

**USE EXTREME CAUTION** when operating with loads that extend over the rack sides. Stability and maneuverability may be adversely affected, causing a rollover.

**DO NOT TRAVEL FASTER THAN THE RECOMMENDED SPEEDS.** Vehicle should never exceed 10 mph (16 km/h) while towing a load on a level grass surface. Vehicle speed should never exceed 5 mph (8 km/h) when towing loads in rough terrain, while cornering, or while ascending or descending a hill.

### LOAD CAPACITY

Your vehicle has been designed to carry or tow specific capacities. Always read and understand the load distribution warnings listed on the warning labels. The total load (operator, passengers, non-factory installed accessories, cargo and weight on hitch) must not exceed the maximum weight capacity of the vehicle.

**⚠ WARNING**

Driving with passengers in the cargo box can result in serious injury or death. Never allow passengers to ride in the cargo box. Passengers must always ride in the cab with seat belts fastened securely.

**TOWING LOADS****⚠ WARNING**

Towing improperly can alter vehicle handling and may cause loss of control or brake instability.

Always follow these precautions when towing:

1. Never load more than 68.1 kg (150 lbs.) tongue weight on the towing bracket.
2. Always shift to low gear for towing.
3. When towing a disabled vehicle, place the disabled vehicle's transmission in neutral. Do not operate the vehicle faster than 16 km/h (10 MPH) when towing.
4. Towing a trailer increases braking distance. Do not operate the vehicle faster than 16 km/h (10 MPH) when towing. Towing a trailer increases braking distance.
5. Do not tow more than the recommended weight for the vehicle. See the towing capacity chart below and the specifications in the Specifications chapter.
6. Attach a trailer to the trailer hitch bracket only. Do not attach a trailer to any other location or you may lose control of the vehicle.
7. Never tow a trailer on a grade steeper than 15°.
8. Always be mindful of the trailer's reaction to vehicle movements when driving off-road.

MODEL	TOTAL TOWED LOAD WEIGHT (LEVEL GROUND)	TOTAL TOWED LOAD WEIGHT (15° GRADE)	TOTAL HITCH VERTICAL WEIGHT	MAXIMUM TOWING SPEED
<i>Pro XD Mid-Size Gas</i>	1500 lbs. (680.4 kg)	850 lbs. (386 kg)	150 lbs. (68.1 kg)	10 MPH (16 km/h)

## OPERATION

---

### BELT LIFE

To extend belt life, use low gear when hauling or towing heavy cargo. Using high gear for heavy loads, hilly terrain or in wet, muddy conditions will increase the chance of drive belt burning.

### DUMPING THE CARGO BOX

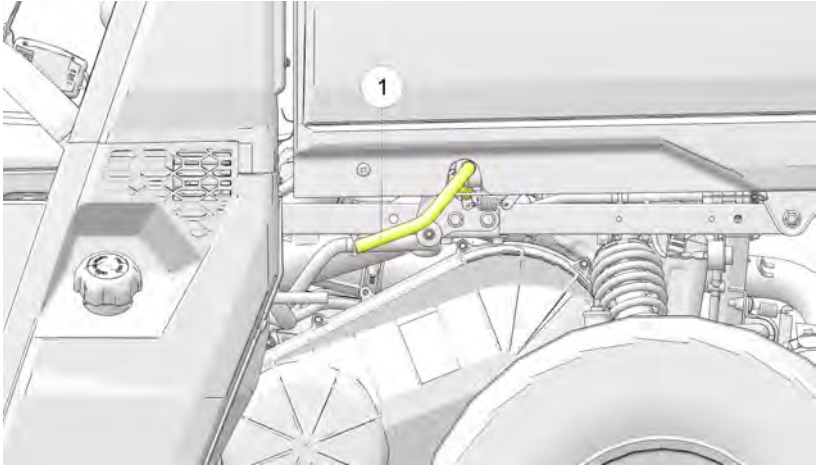
To dump the cargo box, do the following:

1. Select a level site to dump the cargo box. Do not attempt to dump or unload the vehicle while parked on an incline.
2. Apply the brakes. Place the transmission in PARK.
3. Ensure that the cargo is positioned evenly or toward the front of the cargo box.
4. Release the tailgate by pulling up on the tailgate latch.

 **WARNING**

If the weight distribution on the box is located toward the rear of the box when the release lever is pulled forward, the box may dump unexpectedly and cause serious injury to the operator or bystanders. Never operate the Release Lever dump lever without ensuring that the load is positioned evenly or at the front of the box.

5. Stand clear and pull up on the cargo box release lever ①. Lift the front of the cargo box to dump the cargo.



6. Lower the cargo box and push down securely to latch.

**⚠ WARNING**

Operating the vehicle while the cargo box is raised could result in severe injury. The box could close unexpectedly and cause injury to the driver or passenger. The rear tires could also catch the rear of a raised box, damaging the vehicle and creating hazardous driving conditions. Never operate this vehicle with the cargo box in the raised position.

## OPERATION

# ALL WHEEL DRIVE/REAR DIFFERENTIAL SYSTEM

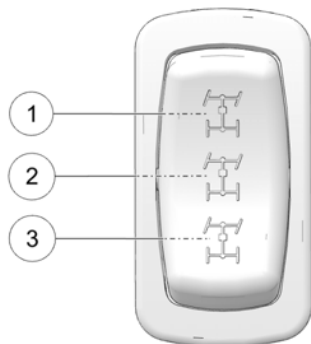
If your model is equipped with a lockable differential, you can choose to operate with an open differential or a closed differential.

## ENGAGING AWD

### NOTICE

Switching to AWD while the rear wheels are spinning may cause severe drive shaft and clutch damage. Always switch to AWD while the rear wheels have traction or are at rest. Do not switch to AWD while on dry, paved surfaces, as drivetrain wear/damage may occur.

- ① All-Wheel Drive (AWD)
- ② Differential Lock (2WD)
- ③ Differential Unlock (TURF Mode)



Press the top of the driveline mode switch to engage All Wheel Drive (AWD). The 4X4 indicator illuminates in the rider information center to indicate that the vehicle is in AWD. When the AWD switch is on, the front gearcase will automatically engage any time the rear wheels lose traction. When the rear wheels regain traction, the front gearcase will automatically disengage. There is no limit to the length of time the vehicle may remain in AWD. Initially, the vehicle's electronic system will not enable the AWD until the engine RPM is below 3100. Once enabled, the AWD remains enabled until the switch is turned off. If the switch is turned off while the front gearcase is moving, it will not disengage until the rear wheels regain traction.

Engage the AWD before getting into conditions where front wheel drive may be needed. If the rear wheels are spinning, release the throttle before switching to AWD.



## DISENGAGING AWD

Move the driveline mode switch to the center or bottom position to disengage AWD. If the switch is turned off while the front hubs are driving, they will not release until the rear wheels regain traction.

In some situations, the front gearcase may remain locked after turning the AWD switch off. If this occurs, you may notice increased steering effort and some vehicle speed restriction. Perform the following procedure to unlock the front gearcase.

To disengage AWD, do the following:

1. Stop the vehicle.
2. Operate in reverse for at least 3 meters.
3. Stop completely.
4. Shift into low gear and drive forward.
5. If the front gearcase remains locked after following these instructions, see your dealer or other qualified service person for service.

## LOCKING THE DIFFERENTIAL

### NOTICE

Do not operate with a locked differential while on dry, paved surfaces. Drivetrain wear/damage may occur.

Move the switch to the center position to lock the differential and operate in two wheel drive (2WD). Locking the differential in slippery or low traction conditions helps improve traction. When the rear differential is locked, both rear wheels rotate at the same speed.

## UNLOCKING THE DIFFERENTIAL (TURF MODE)

When operating in TURF mode, the inside rear wheel will rotate independently from the outside wheel during turns. Operate in TURF mode only as needed to protect smooth, level surfaces from tire damage. DO NOT operate in TURF mode when climbing or descending hills, when sidehilling, or when operating on uneven, loose, or slippery terrain such as sand, gravel, ice, snow, obstacles, and water crossings. Always operate in AWD on these types of terrain.

### WARNING

Operating in TURF mode (if equipped) when on sloped, uneven, or loose terrain could cause loss of control and result in serious injury or death. One rear wheel may slip and lose traction or may lift up and grab when it touches the ground again.

## OPERATION

---

Press the bottom of the switch to unlock the differential and allow the rear drive wheels to operate independently. When the rear differential is unlocked, the rear wheels can rotate at different speeds. Unlock the differential to make maneuvering easier and minimize damage to turf.

### NOTICE

Damage to the differential can occur if it is engaged while the vehicle is traveling at high speeds or while the rear wheels are spinning. Slow the vehicle to nearly stopped before engaging the differential.

### WARNING

Never operate in TURF mode (if equipped) while operating on a hill or other irregular terrain. Always move the switch to AWD before ascending or descending a hill.

---

## WINCH GUIDE

### WINCH SAFETY

These safety warnings and instructions apply if your vehicle came equipped with a winch or if you choose to add an accessory winch to your vehicle.

 **WARNING**

Improper winch use can result in **SEVERE INJURY** or **DEATH**. Always follow all winch instructions and warnings in this manual.

Your winch may have a cable made of either wire rope or specially designed synthetic rope. The term “winch cable” will be used for either unless noted otherwise.

### WINCH SAFETY PRECAUTIONS

1. Read all sections of this manual.
2. Never use alcohol or drugs before or while operating the winch.
3. Never allow children under 16 years of age to operate the winch.
4. Always wear eye protection and heavy gloves when operating the winch.
5. Always keep body, hair, clothing and jewelry clear of the winch cable, fairlead and hook when operating winch.
6. Never attempt to “jerk” a load attached to the winch with a moving vehicle. See the *Shock Loading* section on page 89.
7. Always keep the area around the vehicle, winch, winch cable, and load clear of people (especially children) and distractions while operating the winch.
8. Always turn the vehicle ignition power OFF when it and the winch are not being used.
9. Always be sure that at least five (5) full turns of winch cable are wrapped around the winch drum at all times. The friction provided by this wrapped cable allows the drum to pull on the winch cable and move the load.
10. Always apply your vehicle’s park brake and/or park mechanism to hold the vehicle in place during winching. Use wheel chocks if needed.
11. Always align the vehicle and winch with the load directly in front of the vehicle as much as possible. Avoid winching with the winch cable at an angle to the winching vehicle’s centerline whenever possible.

## WINCH GUIDE

---

12. If winching at an angle is unavoidable, follow these precautions:
  - a. Look at the winch drum occasionally. Never let the winch cable “stack” or accumulate at one end of the winch drum. Too much winch cable at one end of the winch drum can damage the winch and the winch cable.
  - b. If stacking occurs, stop winching. Follow step 15 of Winch Operation to feed and rewind the cable evenly before continuing the winch operation.
13. Never winch up or down at sharp angles. This can destabilize the winching vehicle and possibly cause it to move without warning.
14. Never attempt to winch loads that weigh more than the winch’s rated capacity.
15. The winch motor may become hot during winch use. If you winch for more than 45 seconds, or if the winch stalls during operation, stop winching and permit the winch to cool down for 10 minutes before using it again.
16. Never touch, push, pull or straddle the winch cable while winching a load.
17. Never let the winch cable run through your hands, even if wearing heavy gloves.
18. Never release the clutch on the winch when the winch cable is under load.
19. Never use the winch for lifting or transporting people.
20. Never use the winch to hoist or suspend a vertical load.
21. Always inspect your winch and winch cable before each use.
22. Never winch the hook fully into the winch. This can cause damage to winch components.
23. Unplug the remote control from the vehicle when the winch is not in use to prevent inadvertent activation and use by unauthorized persons.
24. Never grease or oil the winch cable. This will cause the winch cable to collect debris that will shorten the life of the cable.



## WINCH OPERATION

Read the Winch Safety Precautions in the preceding pages before using your winch.

### TIP

Consider practicing the operation and use of your winch before you actually need to use it in the field.

### ⚠ WARNING

Improper winch use can result in **SEVERE INJURY** or **DEATH**. Always follow all winch instructions and warnings in this manual.

Each winching situation is unique.

- Take your time to think through the winching you are about to do.
  - Proceed slowly and deliberately.
  - Never hurry or rush during winching.
  - Always pay attention to your surroundings.
  - You may need to change your winching strategy if it is not working.
  - Always remember that your winch is very powerful.
  - There are simply some situations that you and your winch will not be able to deal with. Do not be afraid to ask others to help when this happens.
1. Always inspect the vehicle, winch, winch cable and winch controls for any signs of damage or parts in need of repair or replacement before each use. *Pay particular attention to the first 3 feet (1 meter) of winch cable if the winch is being used (or has been used) for lifting an accessory plow assembly.* Promptly replace any worn or damaged cable.
  2. Never operate a winch or a vehicle in need of repair or service.
  3. Always apply your vehicle's park brake and/ or park mechanism to hold the vehicle in place during winching. Use wheel chocks if needed.
  4. Always use the hook strap when handling the hook.



## WINCH GUIDE

### WARNING

Never put your fingers into the hook. This could lead to SEVERE INJURY.

- Attach the hook itself onto the load or use a tow strap or chain to secure the load to the winch cable.



### TIP

A “tow strap” is NOT intended to stretch. A “recovery strap” is designed to stretch.

### WARNING

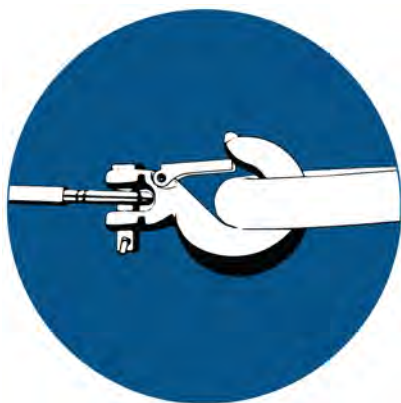
Never use a recovery strap when winching due to the excessive energy that can be released if the winch cable breaks. This can result in SEVERE INJURY or DEATH. See the *Shock Loading* section on page 89.

- Never hook the winch cable back onto itself. This will damage the winch cable and may result in winch cable failure.

### WARNING

Replace the winch cable at the first sign of damage to prevent SEVERE INJURY or DEATH in the event of failure. For your safety, always replace POLARIS winch parts (including the cable) with genuine POLARIS replacement parts available at your authorized POLARIS dealer, or other qualified dealer.

- If possible, keep the winch cable aligned with the centerline of the winching vehicle. This will help the spooling of the winch cable and reduce the load on the fairlead.
- If freeing a stuck vehicle by attaching to a tree, use an item such as a tow strap to avoid damaging the tree during winch operation. Sharp cables and chains can damage and even kill trees. Please remember to Tread Lightly<sup>SM</sup> (treadlightly.org).
- Before operating the winch, be sure that the safety latch on the winch cable hook is fully seated when the load is attached.
- Never operate your winch with a damaged hook or latch. Always replace damaged parts before using the winch.



5. Never remove the hook strap from the hook.
6. Release the winch clutch and pull out the winch cable.
7. Pulling out as much cable as possible maximizes the winch's pulling capacity. Always be sure that at least five (5) full turns of winch cable are wrapped around the winch drum at all times. The friction provided by this wrapped cable allows the drum to pull on the winch cable and move the load.
8. Read and adhere to the following information for winch damping to ensure safe winch use.
  - a. In order to absorb energy that could be released by a winch cable failure, always place a "damper" on the winch cable. A damper can be heavy jacket, tarp, or other soft, dense object. A damper can absorb much of the energy released if a winch cable breaks when winching. Even a tree limb can help as a damper if no other items are available to you.
  - b. Lay the damper on top of the mid-point of the winch cable length that is spooled out.

## WINCH GUIDE

---

- c. On a long pull, it may be necessary to stop winching so that the damper can be repositioned to the new mid-point of the winch cable. Always release the tension on the winch cable before repositioning the damper.
  - d. Avoid being directly in line with the winch cable whenever possible. Also, never permit others to stand near or in line with the winch cable during winch operation.
9. Never hook the winch cable back onto itself. This will damage the winch cable and may result in winch cable failure.
10. Never use straps, chains or other rigging items that are damaged or worn.
11. The ONLY time a winch-equipped vehicle should be moving when using the winch is when that vehicle itself is stuck. The winch equipped vehicle should NEVER be in motion to “shock” load the winch cable in an attempt to move a second stuck vehicle. See the Shock Loading section on page 89. For your safety, always follow these guidelines when winching a vehicle free:
- a. Release the winch clutch and spool out the necessary length of winch cable.
  - b. Align the winch cable as close as possible to the winching vehicle's centerline.
  - c. Attach the winch cable hook to the anchor point or the stuck vehicle's frame following instructions in this manual.
  - d. Re-engage the clutch on the winch.
  - e. Slowly winch in the slack in the winch cable.
  - f. Select the proper vehicle gear to propel the stuck vehicle in the direction of winching.
  - g. Shift to the lowest gear available on the stuck vehicle.
  - h. Slowly and carefully apply vehicle throttle and winch together to free the vehicle.
  - i. Stop winching as soon as the stuck vehicle is able to propel itself without the help of the winch.
  - j. Detach the winch cable hook.
  - k. Rewind the winch cable evenly back onto the winch drum following the instructions in this manual.
12. Never attempt to winch another stuck vehicle by attaching the winch cable to a suspension component, brush guard, bumper or cargo rack. Vehicle damage may result. Instead, attach the winch to a strong portion of the vehicle frame or hitch.



13. Extensive winching will run down the battery on the winching vehicle. Let the winching vehicle's engine run while operating the winch to prevent the battery from running low if winching for long periods.
14. The winch motor may become hot during winch use. If you winch for more than 45 seconds, or if the winch stalls during operation, stop winching and permit the winch to cool down for 10 minutes before using it again.
15. After winching is complete, especially if winching at an angle, it may be necessary to re-distribute the winch cable across the winch drum. You will need an assistant to perform this task.
  - a. Release the clutch on the winch.
  - b. Feed out the winch cable that is unevenly bunched up in one area.
  - c. Re-engage the winch clutch.
  - d. Have an assistant pull the winch cable tightly with about 100 lbs. (45 kg) of tension using the hook strap.
  - e. Slowly winch the cable in while your assistant moves the end of the winch cable back and forth horizontally to evenly distribute the winch cable on the drum.
  - f. Doing this reduces the chances of the winch cable "wedging" itself between lower layers of winch cable.

### WINCH CABLE CARE

#### WARNING

Use of worn or damaged cable could lead to sudden failure and SEVERE INJURY.

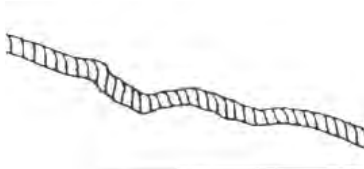
For your safety, always replace POLARIS winch parts (including the cable) with genuine POLARIS replacement parts available at your authorized POLARIS dealer, or other qualified person.

1. Always inspect your winch before each use. Inspect for worn or loose parts including mounting hardware. Never use the winch if any part needs repair or replacement.
2. Always inspect your winch cable before each use. Inspect for worn or kinked winch cable.

A kinked winch cable made of wire rope is shown at right. Even after being “straightened out,” this cable has already been permanently and severely damaged. Promptly discontinue use of a winch cable in this condition.



A kinked winch cable made of wire rope that has been “straightened out” is shown at right. Even though it may look usable, the cable has been permanently and severely damaged. It can no longer transmit the load that it could prior to kinking. Promptly discontinue use of a winch cable in this condition.



A winch cable made of synthetic rope should be inspected for signs of fraying. Replace the cable if fraying is observed (shown below). Promptly discontinue use of a winch cable in this condition. Also replace the winch cable if there are frayed or melted fibers. Such an area of the synthetic rope will be stiff and appear smooth or glazed. Promptly discontinue use of a winch cable in this condition.



## SHOCK LOADING

### WARNING

Your winch cable is very strong but it is NOT designed for dynamic, or “shock” loading. Shock loading may tension a winch cable beyond its strength and cause the cable to break. The end of a broken winch cable under such high loading can cause SEVERE INJURY or DEATH to you and other bystanders.

*Winch cables are designed to NOT absorb energy. This is true of both wire-ropes and synthetic-rope winch cables.*

1. Never attempt to “jerk” a load with the winch. For example, never take up slack in the winch cable by moving the winching vehicle in an attempt to move an object. This is a dangerous practice. It generates high winch cable loads that may exceed the strength of the cable. Even a slowly moving vehicle can create large shock loads in a winch cable.

### WARNING

SEVERE INJURY or DEATH can result from a broken winch cable.

2. Never quickly turn the winch ON and OFF repeatedly (“jogging”). This puts extra load on the winch, winch cable, and generates excessive heat from the motor. This is a form of shock loading.
3. Never tow a vehicle or other object with your winch. Towing an object with a winch produces shock loading of the cable even when towing at slow speeds. Towing from a winch also positions the towing force high on the vehicle. This can cause instability of the vehicle and possibly lead to an accident.
4. Never use recovery straps with your winch. Recovery straps are designed to stretch and can store energy. This stored energy in the recovery strap is released if a winch cable fails making the event even more hazardous. Similarly, never use elastic “bungie” cords for winching.
5. Never use the winch to tie down a vehicle to a trailer or other transportation vehicle. This type of use also causes shock loading that can cause damage to the winch, winch cable, or vehicles used.

**Your winch cable is designed and tested to withstand the loads produced by the winch motor when operated from a stationary vehicle. Always remember that the winch and winch cable are NOT designed for shock loading.**

# WINCH MAINTENANCE AND SERVICE SAFETY

 **WARNING**

Improper or lack of winch maintenance and service could lead to **SEVERE INJURY** or **DEATH**. Always follow all winch instructions and warnings in this manual.

1. Always inspect your winch before each use. Inspect for worn or kinked winch cable. Also inspect for worn or loose parts including mounting hardware.
2. Permit your winch motor to cool down prior to servicing your winch.
3. Never work on your winch without first disconnecting the battery connections to prevent accidental activation of the winch.
4. For your safety, always replace POLARIS winch parts (including the cable) with genuine POLARIS replacement parts available at your authorized POLARIS dealer, or other qualified person.
5. Some winch models use wire rope as the winch cable. Other winches use a specially designed synthetic rope as the winch cable.
6. Never replace a synthetic-rope winch cable with a consumer-grade polymer rope such as can be purchased in a hardware store. Although they may look similar, they are **NOT** alike. A polymer rope not designed for winch use will stretch and store excessive energy when winching.

 **WARNING**

Failure of a stretched rope under winching conditions will release all of the stored energy. This will increase the chances of **SEVERE INJURY** or **DEATH**.

### **EMISSION CONTROL SYSTEMS**

#### **NOISE EMISSION CONTROL SYSTEM**

Do not modify the engine, intake or exhaust components, as doing so may affect compliance with governmental noise level requirements.

#### **SPARK ARRESTER**

Your POLARIS vehicle has a spark arrester that was designed for on-road and off-road operation. It is required that this spark arrester remain installed and functional when the vehicle is operated.

#### **EXHAUST EMISSION CONTROL SYSTEM**

Exhaust emissions are controlled by engine design. An electronic fuel injection (EFI) system controls fuel delivery. The engine and EFI components are set at the factory for optimal performance and are not adjustable.

The emissions label is located on the inside of the lower left frame tube (below driver's foot area).

#### **ELECTROMAGNETIC INTERFERENCE**

This vehicle complies with the EMC requirements of UN ECE Regulation 10.

Non-ionizing Radiation: This vehicle emits some electromagnetic energy. People with active or non-active implantable medical devices (such as heart monitoring or controlling devices) should review the limitations of their device and the applicable electromagnetic standards and directives that apply to this vehicle.



## MAINTENANCE

### OVERVIEW

Any qualified repair shop or person may maintain, replace or repair the emission control devices or systems on your vehicle. An authorized POLARIS dealer can perform any service that may be necessary for your vehicle. POLARIS also recommends POLARIS parts for emissions-related service, however equivalent parts can be used.

It is a potential violation of the EU law if a part supplied by an aftermarket parts manufacturer reduces the effectiveness of the vehicle's emission controls. Tampering with emission controls is prohibited by law.

Owners are responsible for performing the scheduled maintenance identified in this owner's manual. Careful periodic maintenance will help keep your vehicle in safe, reliable condition. Inspect, clean, lubricate, adjust and replace parts as necessary. When inspection reveals the need for replacement parts, genuine POLARIS parts are available from your POLARIS dealer. Equivalent parts may be used for emissions-related service.

Record maintenance and service in the Maintenance Log beginning on page 169. Service and adjustments are important for proper vehicle operation. If you're not familiar with safe service and adjustment procedures, a qualified dealer can perform these operations. Maintenance intervals in the following chart are based upon average riding conditions and an average vehicle speed of approximately 10 miles per hour. Vehicles subjected to severe use must be inspected and serviced more frequently.

## MAINTENANCE

---

### **POLARIS MAINTENANCE SCHEDULE - PRO XD MID-SIZE GAS / CREW**

The intervals shown are based on vehicles operated under normal conditions.

Each interval is given in hours and miles (kilometers). Items should be serviced at whichever interval comes first.

Continue to reference the following maintenance schedules at the given intervals as hours and miles (kilometers) increase on the vehicle.

*Vehicles subjected to severe use must be serviced at 50% of the stated interval. Examples of Severe Use: Frequent immersion in mud, water, or sand, constant high RPM use, prolonged low-speed heavy load operation, extended idle, and short trip cold weather operation.*

#### **INITIAL BREAK-IN SERVICE FIRST 25 HOURS**

Engine Oil and Filter	Change the engine oil and filter.
The break-in period consists of the first 25 hours of operation. Careful treatment of a new engine and drive components will result in more efficient performance and longer life for these components. The items outlined in this service interval only need to be performed at the first 25 hours of operation. They do not need to be performed every 25 hours.	



*Vehicles subjected to severe use must be serviced at 50% of the stated interval. Examples of Severe Use: Frequent immersion in mud, water, or sand, constant high RPM use, prolonged low-speed heavy load operation, extended idle, and short trip cold weather operation.*

### EVERY 50 HOURS / 500 MILES (800 KM)

Battery	Check terminals; terminals should be tight and free of corrosion. Clean, test, and replace as necessary.
---------	--

### EVERY 100 HOURS / 1000 MILES (1600 KM)

Brake System	Inspect fluid level; inspect for fluid leaks; add recommended brake fluid from a sealed container if needed. Inspect brake pad wear.
Drive Belt	Inspect; replace as needed.
Engine Breather	Inspect; replace as needed.
General Lubrication	Locate all applicable fittings and grease.
Throttle Body / Air Intake Ducts / Flanges	Inspect duct for proper sealing/air leaks.
Air Filter	Inspect and replace as needed.

### EVERY 200 HOURS / 2000 MILES (3200 KM) OR YEARLY

Brake System	Inspect fluid level; inspect for fluid leaks; add recommended brake fluid from a sealed container if needed. Inspect brake pad wear.
Cooling System	Inspect fluid level; inspect for fluid leaks; add coolant if needed. Inspect coolant strength seasonally; pressure test system yearly.
Drive Belt	Inspect; replace as needed.
Engine Breather	Inspect; clean as needed.
Engine Oil and Filter	Change the engine oil and filter.
Exhaust Silencer / Pipe	Inspect for leaks or damage.
Front Gearcase Fluid	Change fluid.

## MAINTENANCE

---

### EVERY 200 HOURS / 2000 MILES (3200 KM) OR YEARLY

Fuel System*	Cycle key to pressurize fuel pump; check for leaks at fuel system connections, check for leaks at fill cap. Check for signs of wear on fuel lines.
General Lubrication	Locate all applicable fittings and grease.
Spark Arrestor	Clean out. Inspect after every ride where submerged in mud.
Spark Plug	Replace as needed.
Suspension Components*	Inspect tie rods, wheel bearings, suspension bushings, and ball joints for loose or worn components; replace as needed. Inspect shock absorbers for leaks or damage.
Shock Absorbers*	Replace as needed.
Transmission Fluid	Change fluid.
Throttle Body / Air Intake Ducts / Flanges	Inspect duct for proper sealing/air leaks.
Wiring	Inspect for wear, routing, and retention.
Valve Clearance*	Inspect; adjust as needed.
* Have an authorized Polaris dealer or other qualified person perform these services.	

*Vehicles subjected to severe use must be serviced at 50% of the stated interval. Examples of Severe Use: Frequent immersion in mud, water, or sand, constant high RPM use, prolonged low-speed heavy load operation, extended idle, and short trip cold weather operation.*

### ADDITIONAL MAINTENANCE INTERVALS

<b>300 Hours / 3000 Miles (4800 km)</b>	PVT*	Inspect bushings, rollers, wearable parts; clean; replace worn parts.
<b>Every 24 months / 2 years</b>	Brake Fluid	Change fluid.
<b>Every 60 months / 5 years</b>	Coolant	Change fluid.
* Have an authorized Polaris dealer or other qualified person perform these services.		

## LUBRICATION RECOMMENDATIONS

Check and lubricate all components at the intervals outlined in the POLARIS Maintenance Schedule beginning on page 94, or more often under severe use, such as wet or dusty conditions. Items not listed in the chart should be lubricated at the general lubrication interval.

ITEM	LUBE	METHOD
Engine Oil	PS-4 5W-50 4-Cycle Oil	Add to proper level on dipstick. See page 98.
Brake Fluid	DOT 4 Brake Fluid	Maintain level between fill lines. See page 124.
Transmission Oil (Main Gearcase)	AGL Gearcase Lubricant & Transmission Fluid	See page 103.
Front Gearcase Oil	Demand Drive Fluid	See page 106.
Front Prop Shaft Yoke	U-Joint Grease	Locate fittings and grease. See page 107

### ENGINE OIL

Always check and change the oil at the intervals outlined in the POLARIS Maintenance Schedule section. Always use the recommended engine oil.

#### NOTICE

Allowing dirt or debris to enter the engine can result in serious engine damage. Always clean away all dirt and debris from the dipstick area before removing the dipstick.

### OIL CHECK

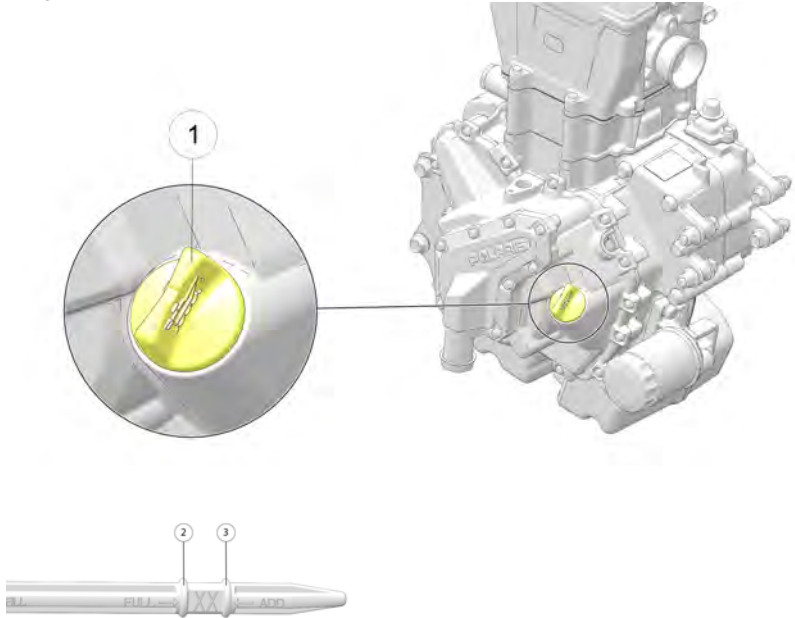
The oil dipstick ① is located on the engine. Access the dipstick through the right rear wheel well.

#### NOTICE

Oil level should be checked when the engine is cold.

1. Position the vehicle on a level surface.
2. Place the transmission in PARK.
3. Always clean away all dirt and debris from the dipstick area before removing the dipstick. Remove the dipstick. Wipe it dry with a clean cloth.
4. Reinstall and tighten the dipstick.
5. Remove the dipstick and check the oil level.

6. Add the recommended fluid as needed. Maintain the oil level in the safe range between the FULL ② and ADD ③ marks. Do not overfill.



7. Reinstall and tighten the dipstick.

# MAINTENANCE

## OIL AND FILTER CHANGE

Always check and change the oil at the intervals outlined in the Polaris Maintenance Schedule section. Always change the oil filter whenever changing oil.

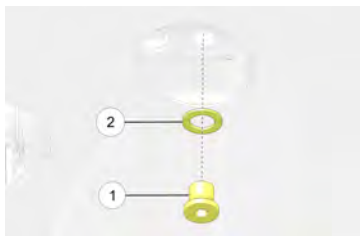
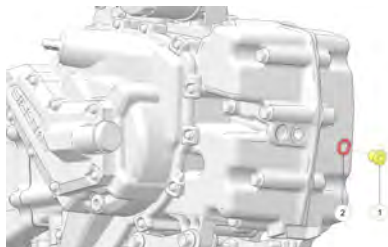
The engine drain plug ① is located on the bottom of the crankcase. Use a 6mm hex bit socket or equivalent.

1. Position the vehicle on a level surface. Place the transmission in PARK. Apply the brakes.
2. Start the engine. Allow it to idle for two to three minutes. Stop the engine.
3. Clean the area around the drain plug.

### CAUTION

Hot oil can cause burns to skin. Do not allow hot oil to contact skin.

4. Place a drain pan beneath engine crankcase and remove the drain plug ①.



5. Allow the oil to drain completely.
6. Install a new sealing washer ② on the drain plug.

### TIP

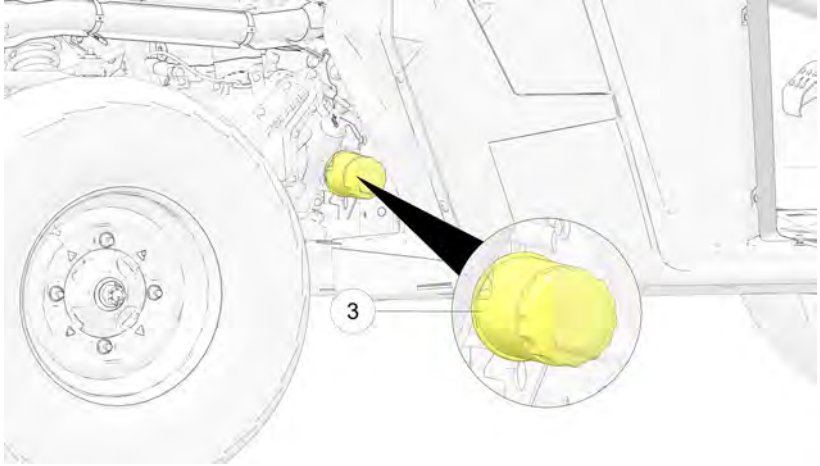
The sealing surfaces on drain plug and crankcase should be clean and free of burrs, nicks or scratches.

7. Reinstall the drain plug.

### TORQUE

12 ft-lbs (16 Nm)

- Using a cap-style oil filter wrench or equivalent, turn the filter ③ counter-clockwise to remove it.



- Using a clean dry cloth, clean the filter sealing surface on the crankcase. Make sure the old filter o-ring is completely removed.
- Lubricate the o-ring on the new filter with a film of fresh engine oil. Check to make sure the o-ring is in good condition.
- Install the new filter and turn by hand until the filter gasket contacts the sealing surface, then turn an additional 3/4 turn.
- Always clean away all dirt and debris from the dipstick area before removing the dipstick. Remove the oil cap ④ or the dipstick ⑤ and fill the sump with 1.9 liters (2 qts.) of recommended oil.



- Reinstall and tighten the dipstick.
- Make sure the transmission is in PARK. Apply the brakes.

## MAINTENANCE

---

15. Start the engine. Allow it to idle for one to two minutes.
16. Stop the engine. Inspect for leaks.
17. Re-check the oil level on the dipstick and add oil as necessary to bring the level to the upper mark on the dipstick.
18. Dispose of used filter and oil properly.

## GEARCASES

### GEARCASE SPECIFICATION CHART

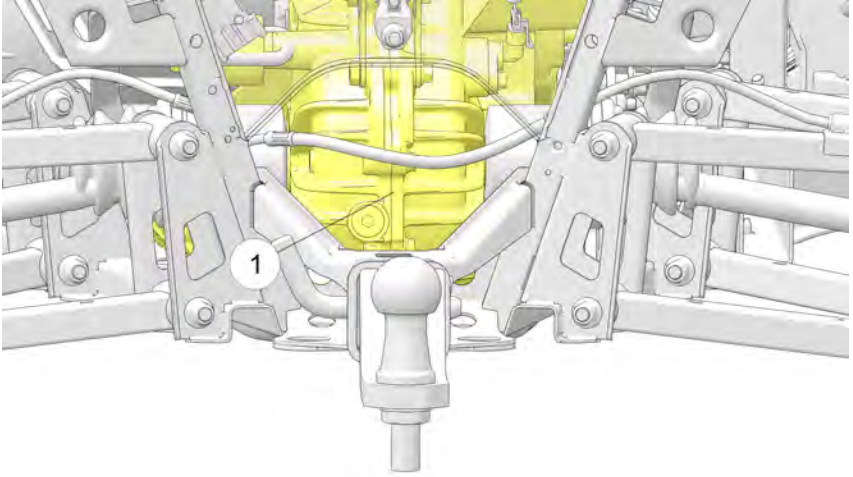
GEARCASE	LUBRICANT	CAPACITY	FILL PLUG TORQUE	DRAIN PLUG/ LEVEL CHECK PLUG TORQUE
Main Gearcase (Transmission)	AGL Gearcase Lubricant & Transmission Fluid	1200 ml (40.6 oz.)	14 ft-lbs (19 Nm)	14 ft-lbs (19 Nm)
Front Gearcase	Demand Drive Fluid	200 ml (6.8 oz.)	12 ft-lbs (16 Nm)	12 ft-lbs (16 Nm)



## TRANSMISSION (MAIN GEARCASE)

Always check and change the transmission oil at the intervals outlined in the POLARIS Maintenance Schedule beginning on page 94. Maintain the oil level even with the bottom thread of the fill plug hole.

Refer to page 102 for recommended lubricants, capacities and torque specifications. See page 151 for the part numbers of POLARIS products.



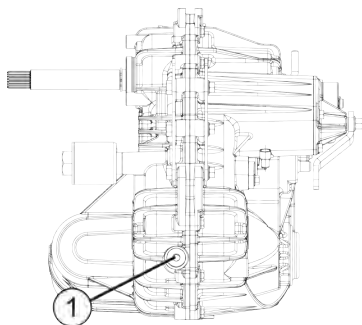
## MAINTENANCE

---

### **FLUID CHECK**

The fill plug is located on the rear of the gearcase. Maintain the fluid level at the bottom of the fill plug hole.

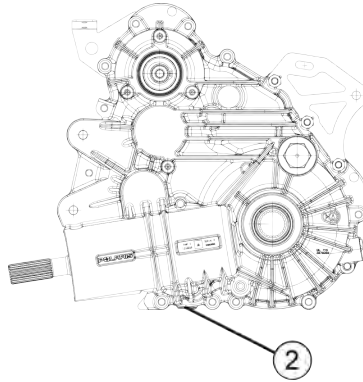
1. Position the vehicle on a level surface.
2. Remove the fill plug ①.
3. Check the fluid level.
4. Add the recommended fluid to the bottom of the fill plug hole. Do not overfill.
5. Reinstall the fill plug. Torque to specification.



## **FLUID CHANGE**

The drain plug is located on the bottom of the gearcase. Access the drain plug through the hole in the skid plate.

1. Remove the fill plug.
2. Place a drain pan under the drain plug ②.



3. Remove the drain plug. Allow the fluid to drain completely.
4. Clean and reinstall the drain plug. Torque to specification.
5. Add the recommended fluid to the bottom of the fill plug hole. Do not overfill.
6. Reinstall the fill plug. Torque to specification.
7. Check for leaks. Discard used fluid properly.

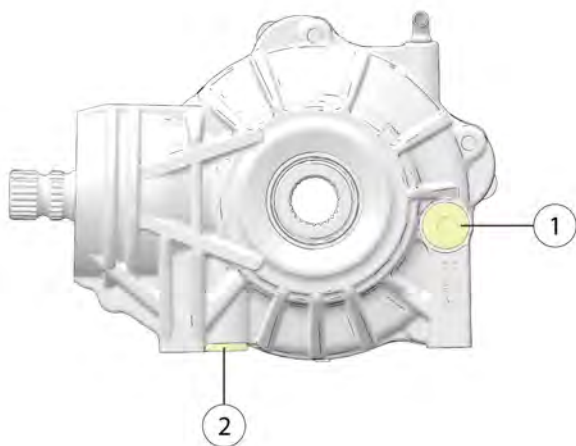
## MAINTENANCE

---

### FRONT GEARCASE (DEMAND DRIVE)

Always check and change the front gearcase oil at the intervals outlined in the POLARIS Maintenance Schedule beginning on page 94. Maintain the oil level even with the bottom thread of the fill plug hole.

Refer to page 102 for recommended lubricants, capacities and torque specifications. See page 151 for the part numbers of POLARIS products.



### ***OIL CHECK***

The front gearcase fill plug ① is located on the right side of the front gearcase.

1. Position the vehicle on a level surface.
2. Remove the fill plug. Check the oil level.
3. Add the recommended oil as needed.
4. Reinstall the fill plug. Torque to specification.

## OIL CHANGE

1. Support the vehicle securely with a jackstand.
2. Remove the front tire on the driver's side.
3. Remove the fill plug.
4. Place a drain pan under the drain plug ② on the bottom right-hand side.
5. Remove the drain plug. Drain the oil.
6. Clean and reinstall the drain plug. Torque to specification.
7. Add the recommended fluid to the bottom of the fill plug hole. Do not overfill.
8. Reinstall the fill plug. Torque to specification.
9. Check for leaks.
10. Discard used oil properly.

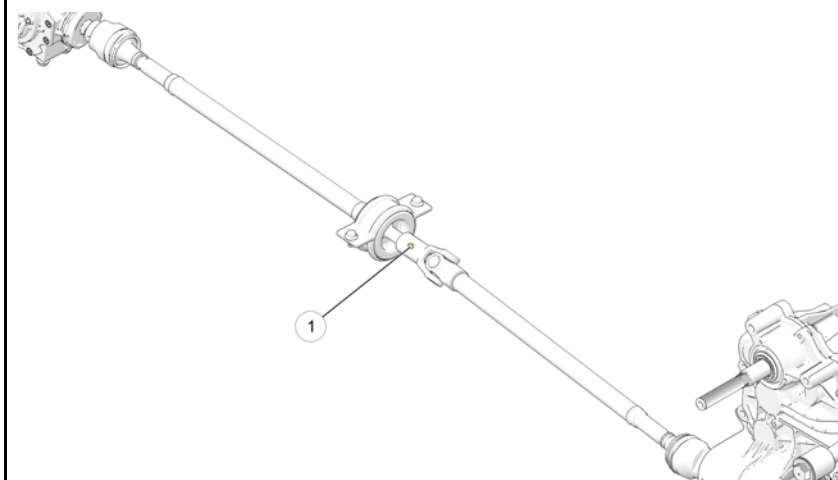
## GREASE LUBRICATION POINTS

There are grease fittings at the rear stabilizer bar bushings and on the front propshaft yokes. Apply grease until all traces of water have been purged out at each of these areas.

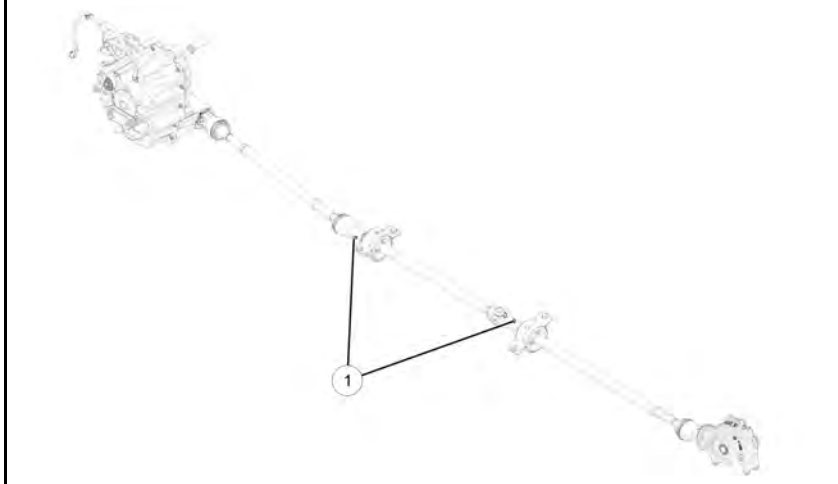
ITEM	LUBE REC	METHOD	FREQUENCY
Propshaft Yoke	<b>Premium U-Joint Lubricant</b>	Grease middle ① fitting	Grease fittings every 500 miles (800 km); Grease before long periods of storage, and after thoroughly washing or submerging the vehicle
Front and Rear Stabilizer Bar Bushings	<b>Premium All Season Grease</b>	Grease fittings ②	Grease fittings every 500 miles (800 km); Grease before long periods of storage, and after thoroughly washing or submerging the vehicle

# MAINTENANCE

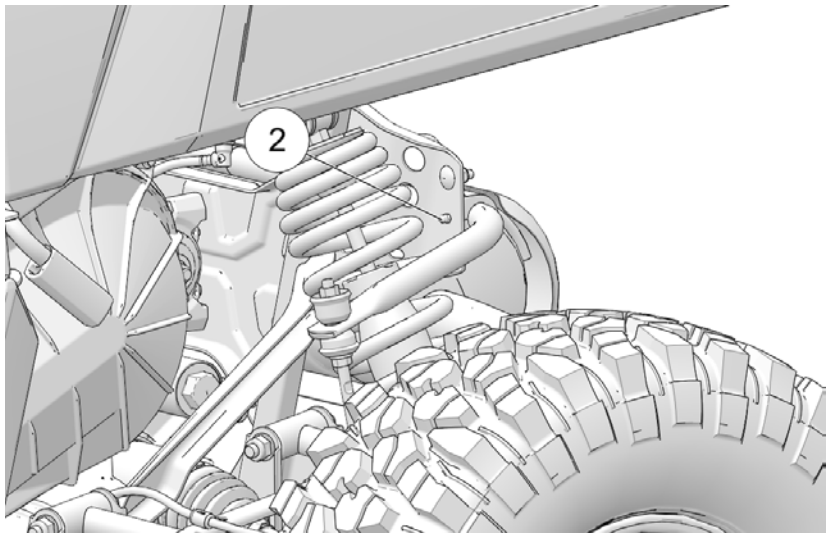
## BASE



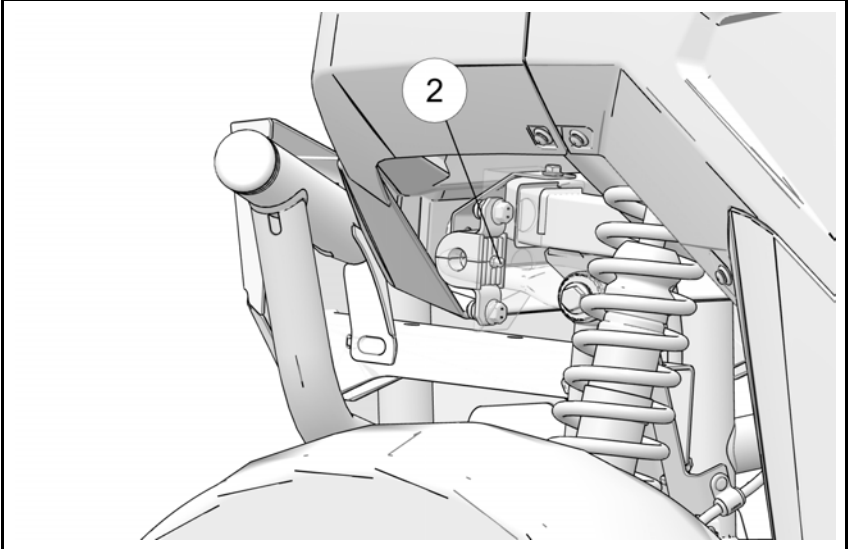
## CREW



**Rear Stabilizer Bar Bushings, Right and Left Side**



**Front Stabilizer Bar Bushings, Right and Left Side**



## MAINTENANCE

# SPARK PLUGS

## SPARK PLUG RECOMMENDATIONS

Refer to the Specifications section for the recommended spark plug type for your vehicle. Always torque spark plugs to specification.

### NOTICE

Using non-recommended spark plugs can result in serious engine damage. Always use POLARIS-recommended spark plugs or their equivalent.

## SPARK PLUG GAP/TORQUE

SPARK PLUG MODEL	ELECTRODE GAP	NEW OR USED PLUG TORQUE
NGK® MR7F	0.7 – 0.8 mm	9 ft-lbs (12 Nm)

### NOTICE

When installing spark plugs into the engine, do not use anti-seize.

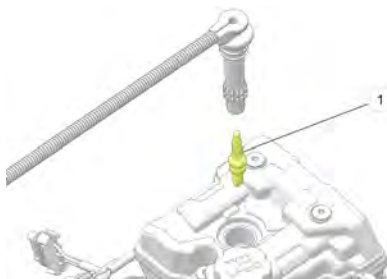
## SPARK PLUG INSPECTION

Spark plug condition is indicative of engine operation. The spark plug firing end condition should be read after the engine is warmed up and the vehicle is driven at higher speeds. Immediately check the spark plug for correct color.

### CAUTION

A hot exhaust system and engine can cause burns. Wear protective gloves when removing a spark plug for inspection.

To inspect the spark plug ①, do the following:





1. Lift the cargo box to access the spark plug.
2. Remove the spark plug cap. Using a ratchet and socket set, remove the plug by rotating it counter-clockwise.
3. Reverse the procedure for spark plug installation.
4. Torque to specification.

### NOTICE

When reinstalling the spark plug boot onto the spark plug, be sure to place a small amount of dielectric grease in the spark plug boot.

## NORMAL PLUG

The normal insulator tip is gray, tan or light brown. There will be few combustion deposits. The electrodes are not burned or eroded. This indicates the proper type and heat range for the engine and the service.

The tip should not be white. A white insulator tip indicates overheating, caused by use of an improper spark plug or incorrect throttle body adjustments.

## WET FOULED PLUG

The wet fouled insulator tip is black. A damp oil film covers the firing end. There may be a carbon layer over the entire nose. Generally, the electrodes are not worn. General causes of fouling are excessive oil, use of non-recommended oil or poor fuel quality.

### COOLING SYSTEM

The engine coolant level is controlled or maintained by the recovery system. The recovery system components are the overflow bottle, radiator filler neck, radiator pressure cap and connecting hose.

As coolant operating temperature increases, the expanding (heated) excess coolant is forced out of the radiator, past the pressure cap, and into the overflow bottle. As engine coolant temperature decreases, the contracting (cooled) coolant is drawn back up from the tank, past the pressure cap, and into the radiator.

Some coolant level drop on new vehicles is normal as the system is purging itself of trapped air. Observe coolant levels and maintain as recommended by adding coolant to the overflow bottle.

### ADDING OR CHANGING COOLANT

POLARIS recommends the use of POLARIS Antifreeze 50/50 Premix. This antifreeze is already premixed and ready to use. Do not dilute with water.

To ensure that the coolant maintains its ability to protect the engine, we recommend that the system be completely drained every five (5) years and fresh Antifreeze 50/50 Premix added.

Any time the cooling system has been drained for maintenance or repair, replace the coolant with fresh Antifreeze 50/50 Premix. If the recovery bottle has run dry, the level in the radiator should be inspected. Add coolant as needed.

### RADIATOR AND COOLING FAN

Always check and clean the screen and radiator fins at the intervals outlined in the POLARIS Maintenance Schedule. Do not obstruct or deflect air flow through the radiator by installing unauthorized accessories in front of the radiator or behind the cooling fan. Interference with the radiator air flow can lead to overheating and consequent engine damage.

#### NOTICE

Washing the vehicle with a high-pressure hose could damage the radiator fins and impair the radiator's effectiveness. Using a high-pressure system is not recommended.

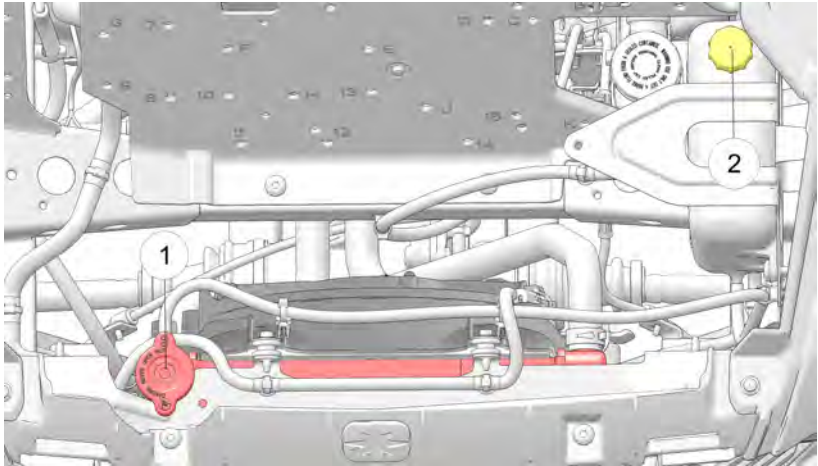
### RADIATOR COOLANT LEVEL

Always check and clean the screen and radiator fins at the intervals outlined in the POLARIS Maintenance Schedule. Do not obstruct or deflect air flow through the radiator by installing unauthorized accessories in front of the radiator or behind the cooling fan. Interference with the radiator air flow can lead to overheating and consequentially, engine damage.

1. Lift the hood.

## CAUTION

Escaping steam can cause burns. Never remove the pressure cap while the engine is warm or hot. Always allow the engine to cool before removing the pressure cap.



2. Slowly remove the radiator cap ①.
3. View the coolant level through the opening.
4. Use a funnel and slowly add coolant as needed.

## TIP

This procedure is required only if the cooling system has been drained for maintenance and/or repair. But if the overflow bottle ② has run dry, the level in the radiator should also be inspected.

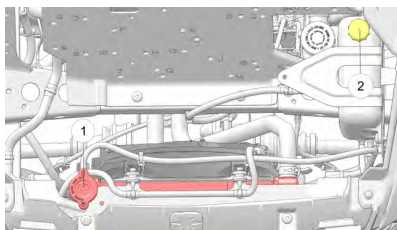
5. Reinstall the pressure cap. Use of a non-standard pressure cap will not allow the recovery system to function properly. Your POLARIS dealer can provide the correct replacement part.

## MAINTENANCE

### OVERFLOW BOTTLE COOLANT LEVEL

Always check and change the coolant at the intervals outlined in the POLARIS Maintenance Schedule. Maintain the coolant level between the minimum and maximum marks on the bottle (when the fluid is cool).

1. Position the vehicle on a level surface.
2. Lift the hood. View the coolant level in the overflow bottle ②.
3. If the coolant level is below the safe operating range, lift the hood and locate the overflow bottle lid. Remove the cap and use a funnel to add coolant through the filler opening. Reinstall the cap.



#### TIP

If coolant must be added often, or if the overflow bottle runs completely dry, there may be a leak in the system. Your dealer can inspect the cooling system.

### POLARIS VARIABLE TRANSMISSION (PVT) SYSTEM

#### WARNING

Failure to comply with the instructions in this warning can result in severe injury or death. Do not modify any component of the PVT system. Doing so may reduce its strength so that a failure may occur at a high speed. The PVT system has been precision balanced. Any modification will cause the system to be out of balance, creating vibration and additional loads on components.

The PVT system rotates at high speeds, creating large amounts of force on clutch components. As the owner, you have the following responsibilities for your own safety and the safety of others:

- Always follow all recommended maintenance procedures. Always look for and remove debris inside and around the clutch and vent system when replacing the belt.
- See your dealer or other qualified service person as outlined in the owner's manual.
- This PVT system is intended for use on POLARIS products only. Do not install it in any other product.
- Always make sure the PVT housing is securely in place during operation.

## BELT REMOVAL/DEBRIS REMOVAL

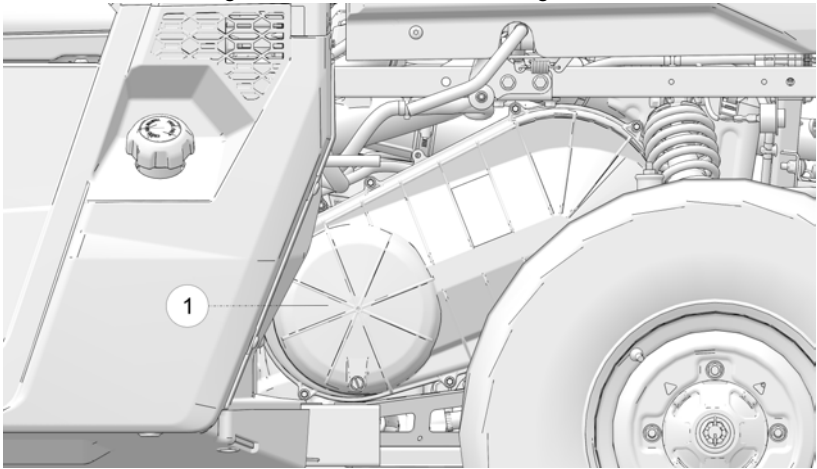
If a belt fails, always clean any debris from the clutch air duct and from the clutch and engine compartments when replacing the belt.

**⚠ WARNING**

Failure to remove ALL debris when replacing the belt could result in vehicle damage, loss of control and severe injury or death.

To replace the belt, do the following:

1. Position the vehicle on a level surface. Place the transmission in park.
2. Lift the cargo box.
3. Remove the eight (8) fasteners securing the clutch cover ①. Each fastener can be removed using a 8mm socket with ratcheting wrench and extension.

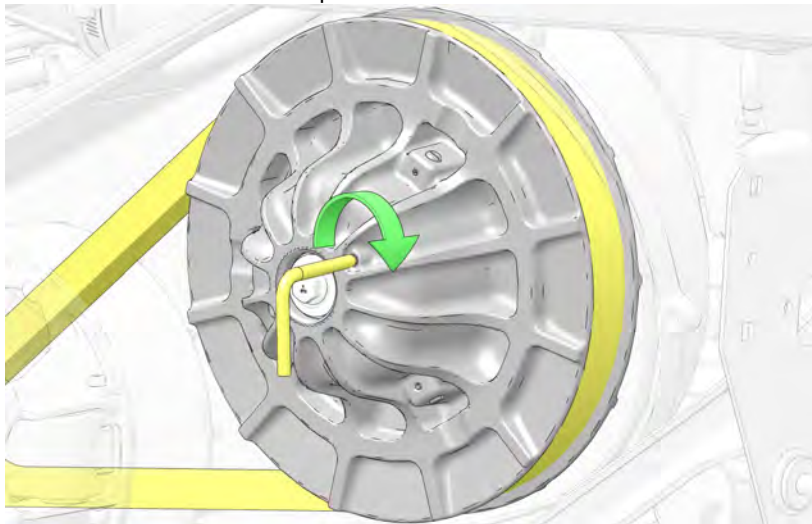


4. Pull the bottom of the cover outward and over the suspension to remove it.
5. Make sure the cover gasket does not fall out of the groove when removing the cover.
6. Mark the drive belt direction of rotation so that it can be installed in the same direction.

## MAINTENANCE

---

7. Insert the clutch spreader tool into the threaded hole on the driven clutch as shown and turn clockwise to spread the clutch.



### NOTE

Clutch spreader tool is part number 2883577.

8. Walk the belt out of the driven clutch and drive clutch. Remove the belt from the vehicle.
9. Remove all debris wrapped in and around the PVT system.
10. Remove all debris from the entire clutch air duct passage.
11. Check for signs of damage to seals on the transmission and engine. If any seals appear to be damaged, your vehicle requires prompt service. Your POLARIS dealer can assist.

### TIP

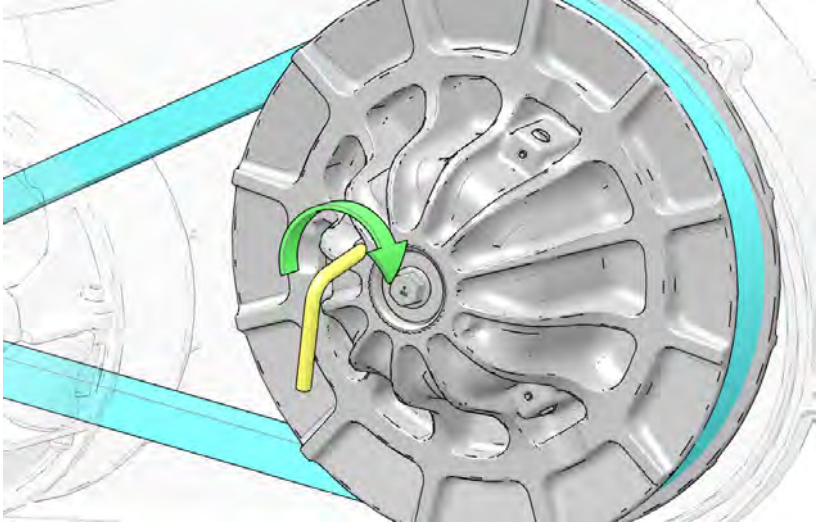
Belt slip is responsible for creating excessive heat that destroys belts, wears clutch components and causes outer clutch covers to fail. Switch to low range while operating at slower speeds to extend the life of the PVT components (belt, cover, etc.).

## BELT INSTALLATION

### NOTE

Be sure to install belt in the same direction as it was removed.

1. With the clutch spreader tool installed, loop the belt over the drive clutch and over the driven clutch.



2. Rotate the driven clutch and walk the belt into the clutch.
3. Turn the clutch spreader tool counterclockwise to remove from the driven clutch.
4. Rotate / spin the driven clutch and belt approximately 5-7 times to properly seat the belt in the driven clutch.
5. Install the clutch cover into wheel well by installing the top half first, then the bottom half over the suspension.

### NOTE

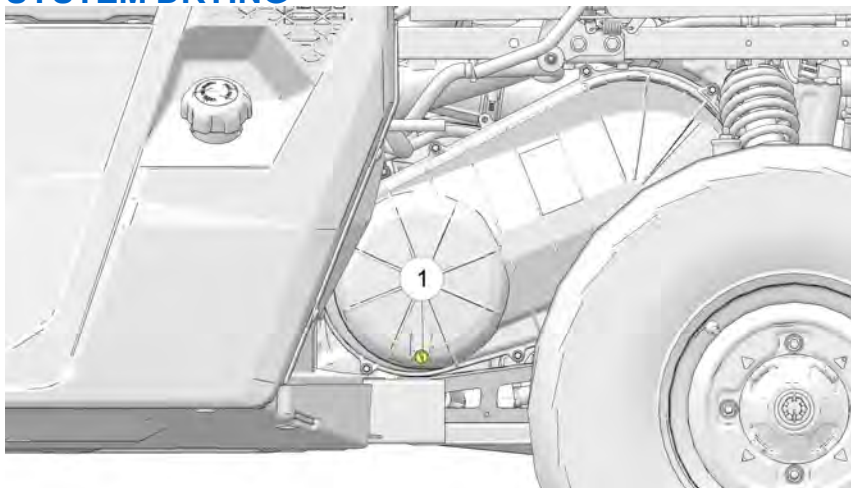
Use care when installing the clutch cover. Do not damage cover, intake boot, or electrical harness.

6. Install all clutch cover screws. Torque to specification.

### TORQUE

PVT Outer Cover Fasteners: **44 in-lbs (5 N·m)**

### POLARIS VARIABLE TRANSMISSION (PVT) SYSTEM DRYING



There may be some instances when water is ingested into the PVT system. Use the following instructions to dry it out before operating:

1. Position the vehicle on a level surface.
2. Remove the red drain plug ① on the outer clutch cover. Allow the water to drain completely. Reinstall the drain plug.
3. Place the transmission in PARK.
4. Start the engine.
5. Apply varying throttle for 10-15 seconds to expel the moisture and air-dry the belt and clutches. Do not hold the throttle wide open for more than five (5) seconds.
6. Allow the engine RPM to settle to idle speed. Apply the brakes. Shift the transmission to the lowest available range.
7. Test for belt slippage. If the belt slips, repeat the process.
8. Your vehicle requires service as soon as possible. Your POLARIS dealer can assist.



---

## VEHICLE IMMERSION

 **WARNING**

If your vehicle becomes immersed, major engine damage can result if the machine is not thoroughly inspected. Take the vehicle in for service before starting the engine. Your POLARIS dealer can provide this service.

If it's impossible to take your vehicle to a dealer before starting it, follow the steps outlined below:

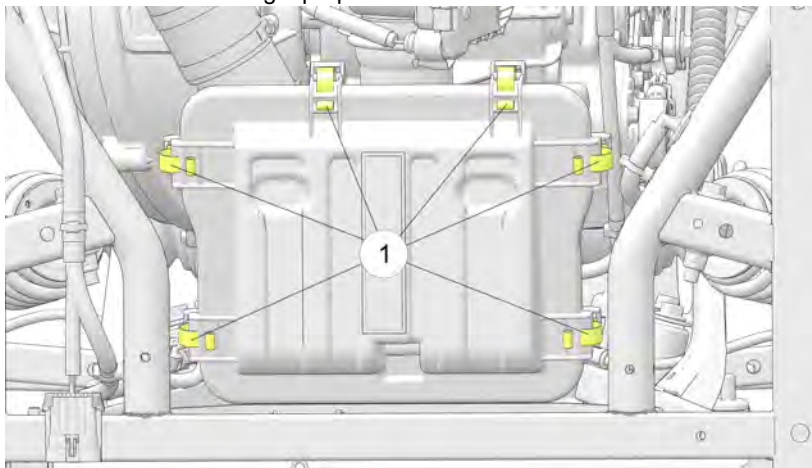
1. Move the vehicle to dry land or at the very least, to water below the footrests.
2. Dry any water present in the air box. Filter replacement is required if water is present.
3. Remove the spark plugs. Turn the engine over several times using the electric start.
4. Dry the spark plugs and reinstall, or replace with new plugs.
5. Attempt to start the engine. If necessary, repeat the drying procedure.
6. Take the vehicle in for service as soon as possible, whether you succeed in starting it or not. Your POLARIS dealer can provide the required service.
7. If water has been ingested into the PVT follow the procedure for drying.

# FILTER SYSTEMS

## AIR FILTER

Always change the air filter at the intervals outlined in the Polaris Maintenance Schedule section. Service the air filter more frequently if the vehicle is operated in wet conditions or at high throttle for extended periods.

1. Lift the cargo box.
2. Clean all dirt and debris from the air box area.
3. Unlatch the six (6) cover clips ① and carefully remove the air box cover. Inspect the seal between the cover and air box to ensure the seal is not torn and has been maintaining a proper seal.



4. Inspect the air filter and air box for dirt, debris, oil or water. If the filter needs to be replaced, remove the worm gear clamp from the filter neck with a flat-blade screwdriver or 6mm socket. Slide the filter rearward to remove it from the boot, then lift it straight upward and out of the air box.
5. With the filter removed, clean the intake boot and air box thoroughly and wipe well with a clean, dry cloth.

### NOTICE

Dirt or debris in the intake boot could result in severe engine damage. Always clean all dirt and debris from the intake boot before installing the filter.

6. Reinstall the air filter (if clean) or install a new air filter (if soiled). Do not attempt to clean the air filter.

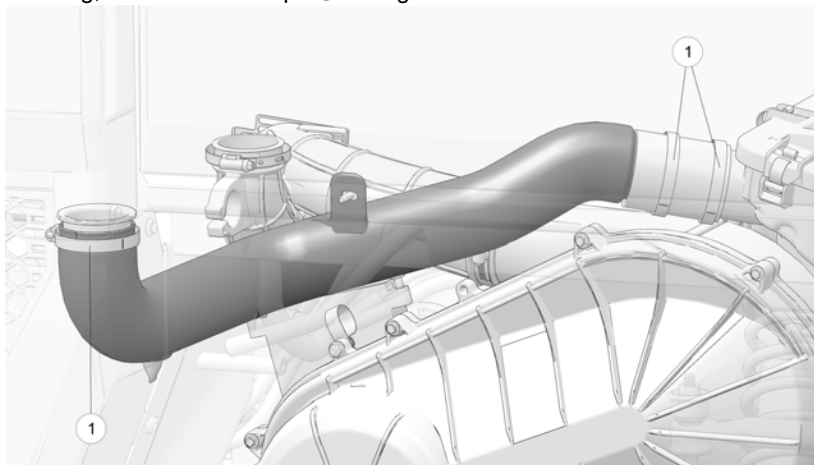
*NOTICE*

Use of a non-POLARIS-approved air filter may cause engine damage. Always use a POLARIS-approved replacement filter. See the POLARIS products chapter for part numbers.

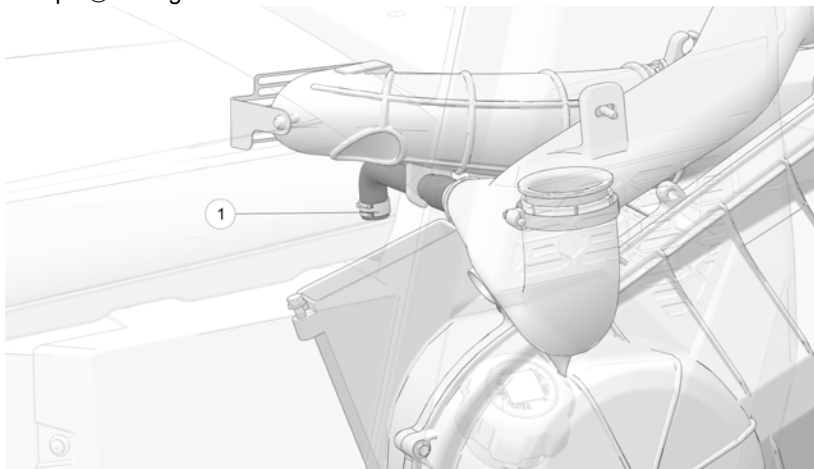
7. Make sure the filter is fully seated on the intake boot and that there is no gap between the filter and boot after installation. Tighten the worm gear clamp to 3 Nm (26 in. lbs.).
8. Reinstall the air box cover. Make sure both hinges are fully inserted. Secure the cover clips.

### AIR INTAKE / ENGINE BREATHER INSPECTION

1. Inspect the intake ducts between the filter and engine for loose connections, cracking, etc. Ensure clamps ① are tight.



2. Inspect the engine breather for loose connections, cracking, etc. Ensure clamps ① are tight.

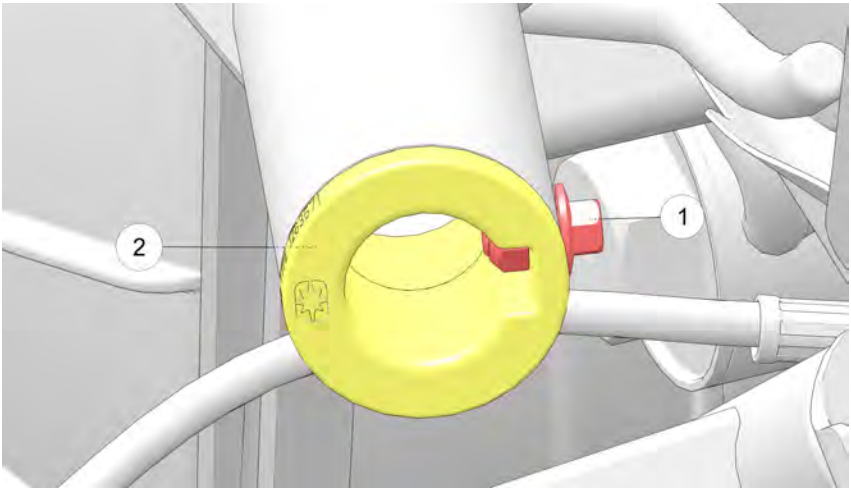


## SPARK ARRESTOR

### WARNING

Failure to heed the following warnings while servicing the spark arrester could result in serious injury or death.

- Do not perform service on the spark arrester while the system is hot. Allow components to cool sufficiently before proceeding.
- Wear eye protection and gloves.
- Never operate without the spark arrester.
- Never run the engine in an enclosed area. Exhaust contains poisonous carbon monoxide gas.



To remove accumulated carbon, clean the spark arrester at the intervals recommended in the Periodic Maintenance Chart.

1. Remove the bolt ① and nut from the spark arrester ②. Remove the spark arrester from the end of the muffler.
2. Use a non-synthetic brush to clean the arrester screen. A synthetic brush may melt if components are warm. If necessary, blow debris from the screen with compressed air.
3. Inspect the screen for wear and damage. Replace the arrester if damage is found.
4. Reinstall the arrester.
5. Torque the bolt and nut to specification.

## MAINTENANCE

### NOTICE

Spark Arrestor Bolt  
**10 ft-lbs (13.5 N·m)**

## BRAKES

The front and rear brakes are hydraulic disc type brakes. Press down on the brake pedal to engage the brakes.

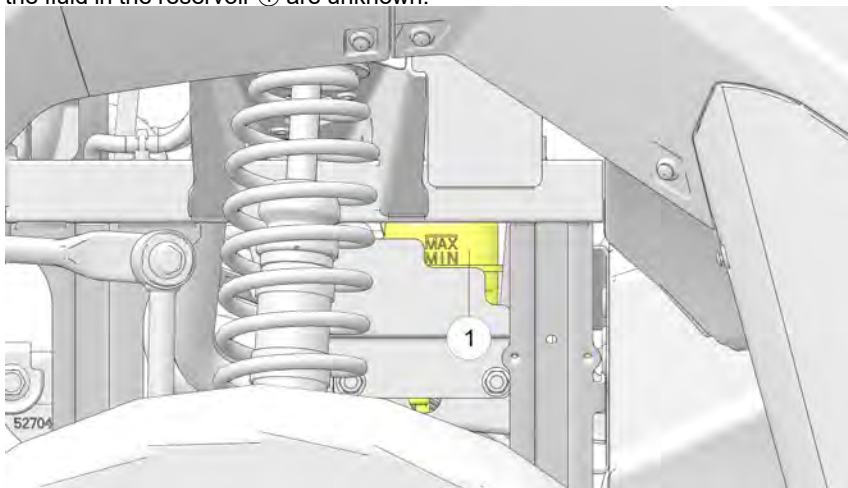
## BRAKE FLUID

Inspect the brake system routinely. Inspect the level of the brake fluid before each operation.

### ⚠ WARNING

After opening a bottle of brake fluid, always discard any unused portion. Never store or use a partial bottle. Brake fluid is hygroscopic, meaning it rapidly absorbs moisture from the air. The moisture causes the boiling temperature of the brake fluid to drop, which can lead to early brake fade and the possibility of accident or severe injury.

Change the brake fluid every two years and any time the fluid becomes contaminated, the fluid level is below the minimum, or if the type and brand of the fluid in the reservoir ① are unknown.



1. Position the vehicle on a level surface.
2. View the brake fluid level at the reservoir in the driver's side wheel well. The level should be between the upper (MAX) and lower (MIN) level lines.
3. If the fluid level is lower than the upper level line, open the hood and add brake fluid to the upper (MAX) line.
4. Apply the brake forcefully for a few seconds and check for fluid leakage around the fittings.

### BRAKE INSPECTION

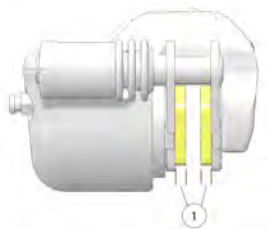
#### WARNING

Do not apply WD-40® or any petroleum product to brake discs. These types of products are flammable and may also reduce the friction between the brake pad and caliper.

#### WARNING

Brake components get hot with prolonged use and can cause burns. Wear protective gloves when inspecting the brakes.

1. Check the brake system for fluid leaks.
2. Check the brake pedal for excessive travel or a spongy feel.
3. Check the friction pads for wear, damage and looseness.
4. Check brake discs for signs of cracks, excessive corrosion, warping or other damage. Clean any grease using an approved brake cleaner or alcohol.
5. Inspect the brake disc spline and pad wear surface for excessive wear. Change pads when worn to 0.762 mm (0.030") ①.



## MAINTENANCE

---

### STEERING WHEEL INSPECTION

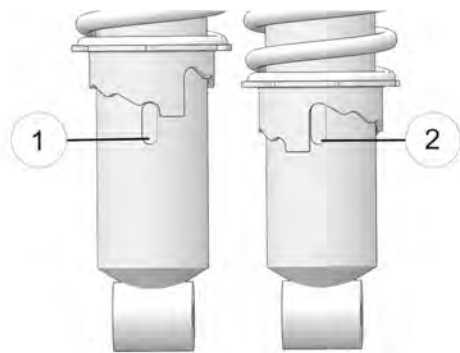
Check the steering wheel for specified freeplay and smooth operation at the intervals outlined in the POLARIS Maintenance Schedule.

1. Position the vehicle on level ground.
2. Lightly turn the steering wheel left and right.
3. There should be 20-25 mm (0.8"-1.0") of freeplay.
4. If there is excessive freeplay or strange noises, or the steering feels rough or "catchy," have the steering system inspected by an authorized dealer.

### SPRING ADJUSTMENT

Adjust the front and rear shock absorber springs by rotating the adjustment cam either clockwise or counter-clockwise to increase or decrease spring tension.

- ① Stiffest adjustment setting
- ② Softest adjustment setting



*Always heed the following rules if you make adjustments to this suspension.*

- Always return the suspension to the lowest (softest) setting after the load is removed from the vehicle. The increased suspension height will negatively impact vehicle stability when operating without a load.
- Always apply the same adjustment setting to both sides of the vehicle.



## TIRES

**⚠ WARNING**

Operating your vehicle with worn tires will increase the possibility of skidding, loss of control and an accident, which could result in serious injury or death. Always replace tires when the tread depth measures 1/8 in (3 mm) or less. Improper tire inflation or the use of non-standard size or type of tires may adversely affect vehicle handling, which could result in vehicle damage or personal injury. Always maintain proper tire pressure. Always use POLARIS approved size and type of tires for this vehicle when replacing tires.

**⚠ WARNING**


Tires age, even if they have not been used or have only been used occasionally. Cracking of the tread and sidewall rubber, sometimes accompanied by carcass deformation, is an evidence of aging. Old and aged tires must be checked and inspected by tire specialists to ascertain their suitability for further use.

## TIRE TREAD DEPTH

Always replace tires when tread depth is worn to 1/8 in (3 mm) or less.

## AXLE AND WHEEL NUT TORQUE SPECIFICATIONS

Inspect the following items occasionally for tightness, and if they've been loosened for maintenance service. Do not lubricate the stud or the lug nut.

Lug Nut (Steel Wheels) 	Front and Rear	49 Nm (36 ft. lbs.)
Hub Retaining Nut	Front	122 Nm (90 ft. lbs.)
	Front-CREW	122 Nm (90 ft. lbs.)
	Rear	150 Nm (111 ft. lbs.)
	Rear-CREW	245 Nm (181 ft. lbs.)

## MAINTENANCE

---

### WHEEL REMOVAL

1. Position the vehicle on a level surface.
2. Place the transmission in PARK. Stop the engine.
3. Loosen the wheel nuts slightly.
4. Elevate the side of the vehicle by placing a suitable stand under the frame.
5. Remove the wheel nuts. Remove the wheel.

### WHEEL INSTALLATION

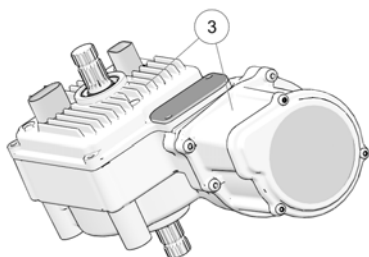
 **WARNING**

Improperly installed wheels can adversely affect tire wear and vehicle handling, which can result in serious injury or death. Always ensure that all nuts are torqued to specification. Do not service axle nuts that have a cotter pin installed. Your dealer can assist.

1. Place the transmission in PARK.
2. Place the wheel on the hub with the valve stem toward the outside and rotation arrows on the tire pointing toward forward rotation.
3. Attach the wheel nuts and finger-tighten.
4. Carefully lower the vehicle to the ground.
5. Torque the wheel nuts to specification.

## POWER STEERING UNIT (IF EQUIPPED)

If your model is equipped with power steering, frequently clean the areas around and on the power steering unit to allow proper cooling. Clean these areas ③ thoroughly.



## FUSES

If the engine stops or will not start, or if you experience other electrical failures, a fuse may need replacement. Locate and correct any short circuits that may have caused the blown fuse, then replace the fuse. The fuse box is located under the hood. Spare fuses are provided in the fuse box.

If you suspect that a fuse or relay may not be working properly, your dealer can assist.

FUSE SIZE	FEATURE SUPPORTED
20A	Chassis
15A	Lights
10A	Key Switch
10A	Trickle Charge
10A	ECM
15A	Drive
30A	EPS
20A	Accessory
7.5A	Winch
15A	Plug and Power
7.5A	Display
200A (Non-Servicable)	B+

## MAINTENANCE

---

### LIGHTS

Poor lighting can result in reduced visibility when driving. Headlight and taillight lenses become dirty during normal operation. Clean lights frequently and replace burned out lamps promptly. Do not operate this vehicle at night or in low light conditions until the headlight is replaced. Always make sure lights are adjusted properly for best visibility.

When servicing a halogen lamp, don't touch the lamp with bare fingers. Oil from your skin leaves a residue, causing a hot spot that will shorten the life of the lamp.

### HEADLIGHT LAMP REPLACEMENT



Hot components can cause burns to skin. Allow lamps to cool before servicing.

To replace the headlight lamp, do the following:

1. Access the headlamp wiring harnesses through the front hood.
2. Unplug the headlamp from the wiring harness. Be sure to pull on the connector ①, not on the wiring.
3. Turn the lamp counter-clockwise to remove it.
4. Install the new lamp.



#### TIP

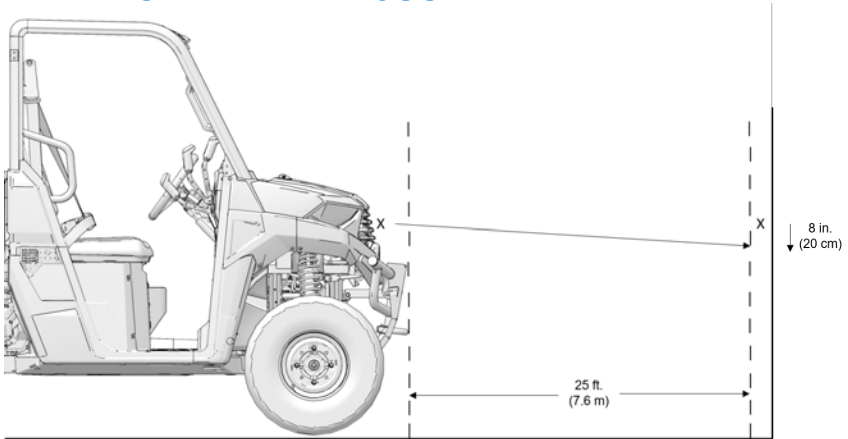
Make sure the tab on the lamp locates properly in the housing.

5. Reinstall the harness assembly into the headlight assembly.

### ***TAILLIGHT/BRAKE LIGHT/TURN SIGNAL LAMP REPLACEMENT***

The taillight assembly is not serviceable. If the taillight or brake light fails to operate properly, replace the entire taillight assembly.

## HEADLIGHT BEAM ADJUSTMENT



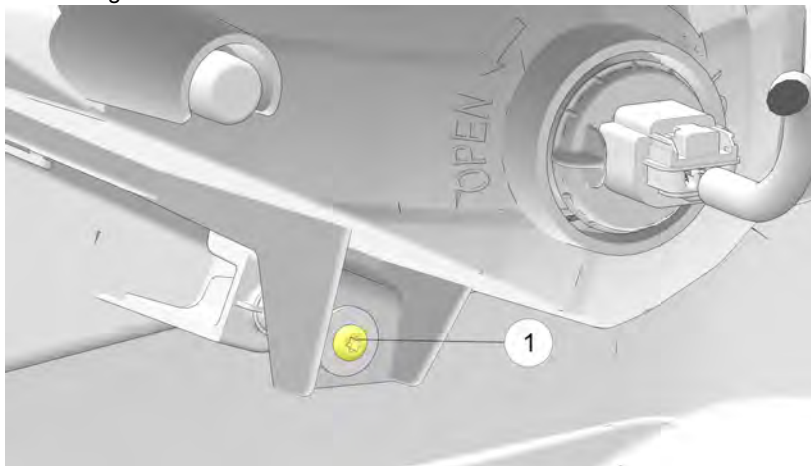
To adjust the headlight beam, do the following:

1. Place the vehicle on a level surface with the headlight approximately 7.6 m (25 ft) from a wall.
2. Measure the distance from the floor to the center of the headlight and make a mark on the wall at the same height.
3. Apply the brakes. Start the engine. Turn on the headlights.
4. Observe the headlight aim. The most intense part of the headlight beam should be aimed 20 cm (8") below the mark placed on the wall. Include the weight of a rider on the seat while performing this step.

## MAINTENANCE

---

5. If a headlight needs adjustment, locate the adjustment screw ① at the rear of the headlight.



6. Tighten the screw to adjust the lamp up. Loosen the screw to adjust the lamp down.
7. Repeat steps 4-6 until the lamp is properly adjusted.

## BRAKE LIGHTS

When the brake pedal is depressed, the brake light comes on. Check the brake light before each ride.

To check the brake lights, do the following:

1. Turn the key to the ON position.
2. Depress the brake pedal. The brake light should come on after about 0.4 in (10 mm) of pedal travel. If the light doesn't come on, check the bulb.

## BATTERY

### WARNING

Battery electrolyte is poisonous. It contains sulfuric acid. Serious burns can result from contact with skin, eyes or clothing.

Antidote:

**External:** Flush with water.

**Internal:** Drink large quantities of water or milk. Follow with milk of magnesia, beaten egg, or vegetable oil. Call physician immediately.

**Eyes:** Flush with water for 15 minutes and get prompt medical attention.

Batteries produce explosive gases. Keep sparks, flame, cigarettes, etc. away. Ventilate when charging or using in an enclosed space. Always shield eyes when working near batteries. **KEEP OUT OF REACH OF CHILDREN.**

Your vehicle has a low-maintenance flooded battery. It does not require refilling.

Always keep battery terminals and connections free of corrosion. If cleaning is necessary, remove the corrosion with a stiff wire brush. Wash with a solution of one tablespoon baking soda and one cup water. Rinse well with tap water and dry off with clean shop towels. Coat the terminals with dielectric grease or petroleum jelly. Be careful not to allow cleaning solution or tap water into a conventional battery.

### WARNING

Improperly connecting or disconnecting battery cables can result in an explosion and cause serious injury or death. When removing the battery, always disconnect the negative (black) cable first. When reinstalling the battery, always connect the negative (black) cable last.

## BATTERY REMOVAL

1. Remove the seat to access the battery compartment.
2. On conventional batteries, remove the battery vent tube.
3. Disconnect the black (-) battery cable first. Disconnect the red (+) battery cable last.
4. Remove the battery hold-down strap.
5. Lift the battery out of the vehicle. Be careful not to tip a conventional battery sideways, which could spill electrolyte.

### NOTICE

If electrolyte spills, immediately wash it off with a solution of one tablespoon baking soda and one cup water to prevent damage to the vehicle.

## MAINTENANCE

---

### BATTERY INSTALLATION

Using a new battery that has not been fully charged can damage the battery and result in a shorter life. It can also hinder vehicle performance.

If your factory-installed 26 AH battery cannot maintain a charge because of operation in extreme cold or with multiple electrical accessories, please see your POLARIS dealer to purchase a 53 AH battery. Before installing the 53AH or 26 AH battery into the machine, ensure the caps (if equipped) are removed from the battery terminals. Premium battery cables and a battery hold strap may be required.

1. Ensure that the battery is fully charged.
2. Place the fully charged battery in the battery holder.
3. Install the battery vent tube. The vent tube must be free of obstructions and securely installed. Route the tube away from the frame and vehicle body to prevent contact with electrolyte.

 **WARNING**

Battery gases could accumulate in an improperly installed vent tube and cause an explosion, resulting in serious injury or death. Always ensure that the vent tube is free of obstructions and is securely installed as recommended.

4. Coat the terminals with dielectric grease or petroleum jelly.
5. Connect and tighten the red (+) cable first. Connect and tighten the black (-) cable last.
6. Verify that cables are properly routed. Cables should be safely tucked away at the front and rear of the battery.
7. Install the battery hold-down strap.



## BATTERY STORAGE

Whenever the vehicle is not used for a period of three months or more, remove the battery from the vehicle, ensure that it's fully charged, and store it out of the sun in a cool, dry place. Check battery voltage each month during storage and recharge as needed to maintain a full charge.

### TIP

Battery charge can be maintained by using a POLARIS Battery Tender charger or by charging about once a month to make up for normal self discharge.

Battery Tender can be left connected during the storage period, and will automatically charge the battery if the voltage drops below a predetermined point. See page 151 for the part numbers of POLARIS products.

## BATTERY MAINTENANCE AND CHARGING

### WARNING

An overheated battery may explode, causing severe injury or death. Always watch charging times carefully. Stop charging if the battery becomes very warm to the touch. Allow it to cool before resuming charging.

The single most important thing about maintaining a flooded battery is to keep it fully charged. Check the battery voltage with a voltmeter or multimeter. A fully charged battery will register 12.8 V or higher. If the voltage falls below 12.5V, charge it immediately, or the battery runs the risk of sulfation and reduced battery life.

If you do not drive the vehicle for more than TWO WEEKS, Polaris recommends using a BatteryMINDER® 2012 AGM - 2 AMP charger (PN 2830438), which can be ordered through your dealer.

Polaris provides a charging accessory with your vehicle that allows easy connection to the battery through the 12V auxiliary outlet, located on the dash. During charging, place the charger outside of the vehicle and protect it from moisture.

### IMPORTANT

The 12V socket located in the rear of 4 seat vehicles is powered after key-on and **CANNOT** be used for charging.

If you plan to store the vehicle for THREE MONTHS or longer, remove the battery from the vehicle, then store the battery in a cool and dry location. Continue to maintain the battery with the BatteryMINDER® 2012 AGM - 2 AMP charger.

## MAINTENANCE

---

When using an automatic charger other than a BatteryMINDER® 2012-AGM - 2 AMP charger, refer to the charger manufacturer's instructions for recharging.

If using a **constant current charger** (instead of BatteryMINDER® 2012 AGM - 2 AMP charger), use the guidelines below. Always verify battery condition before and 1-2 hours after the end of charging.

STATE OF CHARGE	VOLTAGE (DC)	ACTION	CHARGE TIME*
100%	12.8-13.0 volts	None, check monthly	None required
75%-100%	12.6-12.8 volts	May need slight charge, if no charge given, check in 2 weeks	3-6 hours
50%-75%	12.3-12.6 volts	Needs charge	5-11 hours
25%-50%	12.0-12.3 volts	Needs charge	At least 13 hours
0%-25%	12.0 volts or less	Needs charge	At least 20 hours
* Using AGM specific charger at standard amps specified on top of battery			

---

## CLEANING AND STORAGE

### WASHING THE VEHICLE

Keeping your POLARIS vehicle clean will not only improve its appearance but it can also extend the life of various components.

**NOTICE**

High water pressure may damage components. POLARIS recommends washing the vehicle by hand or with a garden hose, using mild soap.

**NOTICE**

Certain products, including insect repellents and chemicals, will damage plastic surfaces. Do not allow these types of products to contact the vehicle.

The best and safest way to clean your POLARIS vehicle is with a garden hose and a pail of mild soap and water.

1. Use a professional-type washing cloth, cleaning the upper body first and the lower parts last.
2. Rinse with clean water frequently.
3. Dry surfaces with a chamois to prevent water spots.

## MAINTENANCE

---

### **WASHING TIPS**

- Avoid the use of harsh cleaners, which can scratch the finish.
- Do not use a power washer to clean the vehicle.
- Do not use medium to heavy duty compounds on the finish.
- Always use clean cloths and pads for cleaning and polishing. Old or reused cloths and pads may contain dirt particles that will scratch the finish.
- Grease all zerk fittings immediately after washing. Allow the engine to run for a while to evaporate any water that may have entered the engine or exhaust system.

If a high pressure water system is used for cleaning (not recommended), exercise extreme caution. The water may damage components and could remove paint and labels. Avoid directing the water stream at the following items:

- Wheel bearings
- Radiator
- Transmission seals
- Brakes
- Door seals (if equipped)
- Cab and body panels
- Labels and decals
- Electrical components and wiring
- Air intake components
- Window seals (if equipped)

If an informational or graphic label becomes illegible or comes off, contact your POLARIS dealer, or other qualified person, to purchase a replacement. Replacement safety labels are provided by POLARIS at no charge.

---

## STORAGE TIPS

### NOTICE

Starting the engine during the storage period will disturb the protective film created by fogging and damage could occur. Never start the engine during the storage period.

### **CLEAN THE EXTERIOR**

Make any necessary repairs and clean the vehicle as recommended.

### **STABILIZE THE FUEL**

1. Fill the fuel tank.
2. Add POLARIS Carbon Clean Fuel Treatment or POLARIS Fuel Stabilizer or equivalent fuel treatments or stabilizers. Follow the instructions on the container for the recommended amount. Carbon Clean removes water from fuel systems, stabilizes fuel and removes carbon deposits from pistons, rings, valves and exhaust systems.
3. Allow the engine to run for 15-20 minutes to allow the stabilizer to disperse through the entire fuel delivery system.

### **OIL AND FILTER**

Change the oil and filter. See the Engine Oil section.

### **AIR FILTER / AIR BOX**

Replace the air filter. See Maintenance Chapter. Clean the air box.

### **FLUID LEVELS**

Inspect the fluid levels. Add or change fluids as recommended in the POLARIS Maintenance Schedule.

- Demand drive fluid (front gearcase)
- Rear gearcase fluid (if equipped)
- Transmission fluid
- Brake fluid (change every two years and any time the fluid looks dark or contaminated)
- Coolant (test strength/fill)

### **INSPECT AND LUBRICATE**

Inspect all cables and lubricate all areas of the vehicle as recommended in the POLARIS Maintenance Schedule.

## MAINTENANCE

---

### **FOG THE ENGINE**

1. Treat the fuel system with POLARIS Carbon Clean or other equivalent fuel treatment. Follow the instructions on the container. Start the engine. Allow it to idle for several minutes so the Carbon Clean reaches the injectors. Stop the engine.
2. Remove the spark plugs and add 1–1.5 oz. (29.5–44 cc.) of engine oil. To access the plug holes, use a section of clear 6 mm (1/4") hose and a small plastic squeeze bottle filled with the pre-measured amount of oil. *Do this carefully! If you miss the plug holes, oil will drain from the spark plug cavities into the hole at the front of the cylinder head, and appear to be an oil leak.*
3. Reinstall the spark plugs. Torque to specification.
4. Apply dielectric grease to the inside of each spark plug cap. *Do not reinstall the cap onto the plug at this step.*
5. Turn the engine over several times. Oil will be forced in and around the piston rings and ring lands, coating the cylinder with a protective film of fresh oil.
6. Reinstall the spark plug caps.
7. If POLARIS fuel system additive is not used, fuel tank, fuel lines, and injectors should be completely drained of gasoline.

### **BATTERY MAINTENANCE**

See page 135 and page 135 for storage and charging procedures.

### **STORAGE AREA / COVERS**

Be sure the storage area is well ventilated. Cover the vehicle with a genuine POLARIS cover. Do not use plastic or coated materials. They do not allow enough ventilation to prevent condensation, and may promote corrosion and oxidation.

### **REMOVAL FROM STORAGE**



Engine exhaust contains poisonous carbon monoxide and can cause loss of consciousness or death. Never run an engine in an enclosed area.

1. Check the battery electrolyte level and charge the battery if necessary. Install it in the vehicle. Make sure the battery vent hose is routed properly and that it's not pinched or restricted in any way.
2. Make sure spark plugs are tight.
3. Fill the fuel tank with fuel.

4. Check all the points listed in the Daily Pre-Ride Inspection. *Tightness of the bolts, nuts and other fasteners should be checked by an authorized dealer or other qualified service facility.*
5. Lubricate at the intervals outlined in the POLARIS Maintenance Schedule.

## MAINTENANCE

---

### LOADING AND UNLOADING

The weight distribution of the cargo loaded onto the trailer is important and will have an impact on how the vehicle handles on the road. Ensure the weight of the cargo is distributed properly and the trailer is not rear, front, or side heavy.

Always use a spotter if you are uncomfortable loading the vehicle on your own. A wheel chock or marker can also be used as an indication of how close you will park the vehicle from the front of the trailer.

#### WARNING

When loading or unloading a vehicle onto a trailer, always wear the appropriate safety gear. A hard hat or helmet is recommended.

### MINIMUM WORKING LOAD LIMIT

#### WARNING

Always secure cargo properly. Improperly securing a load can result in severe injury or death.

Securing devices, such as tie-down straps, are manufactured to support a load that can be applied during normal service. This is known as the Working Load Limit (WLL).

VEHICLE TYPE	TIE-DOWN MINIMUM WLL
All Vehicles	3,300 lb (1497 kg)

### TRANSPORTING THE VEHICLE

Follow these procedures when transporting the vehicle.

#### NOTICE

Do not tow your vehicle behind a car or other vehicle except on a trailer.

1. Properly load the vehicle onto the trailer or towing vehicle.
2. Apply the brakes.
3. Place the transmission in PARK. Stop the engine.
4. Slowly release the brake pedal and make sure the transmission is in PARK before exiting the vehicle.
5. Remove the key to prevent loss during transporting.
6. Ensure that all seats are attached correctly and are not loose.



7. Secure the fuel cap, and doors (if equipped).

 **WARNING**

Cargo and other loose vehicle parts may fall off while transporting the vehicle. Secure or remove all cargo, and inspect the unit for loose parts prior to transport.

 **WARNING**

Do not exceed the towing vehicle's or trailer's towing capacity when transporting. Refer to the towing vehicle and trailer's specifications.

 **WARNING**

If transporting the vehicle in a non-enclosed trailer, the vehicle must **FACE FORWARD**, or the roof must be removed. Failure to comply may allow airflow, vibration, or other factors to separate the roof from the vehicle and cause an accident, resulting in serious personal injury or death.

## MAINTENANCE

---

- Using tie-down straps of suitable Working Load Limit (WLL), secure the vehicle to the trailer at the designated tie-down points (front and rear). The straps must be secured in a manner that provides support in both vertical and lateral directions. Ensure that they are set with enough tension as to compress the suspension and prevent vehicle movement during transport. Do not allow the secured straps to make contact with any other part of the trailer or cargo.

 CAUTION

Always use the provided tie-down points. Not using the provided vehicle tie-down points could lead to premature component failure and/or excess wear on the tie-down straps.

 WARNING

Always secure the vehicle with at least four straps when trailering. Use two straps in the front, and two in the rear.

 WARNING

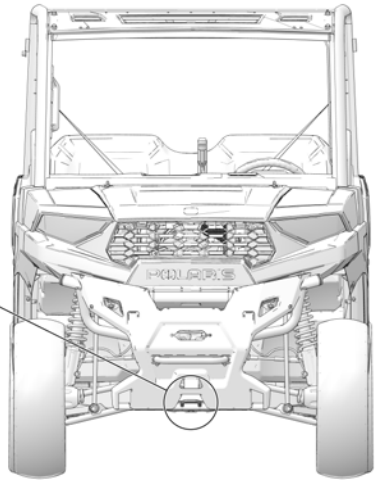
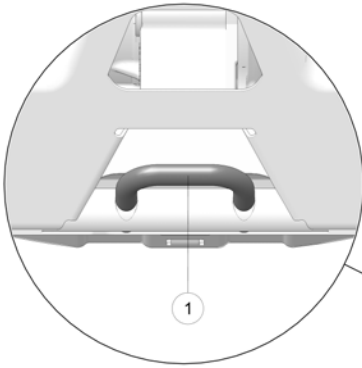
Never use chains to tie down the vehicle.

 WARNING

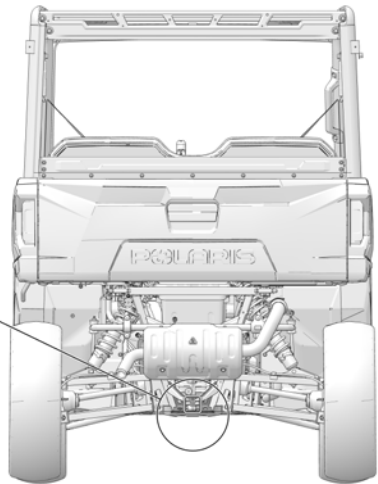
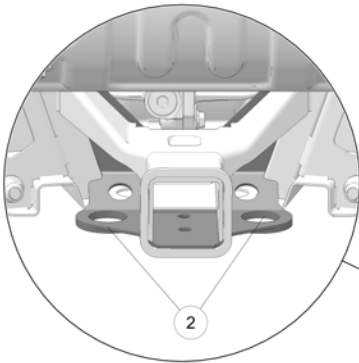
Do not lay straps over any sharp edges. Sharp edges may damage straps during transportation.

- Periodically inspect the vehicle and trailer during transit. Adjust cargo and straps as needed to ensure that the cargo cannot shift, or fall from the trailer or towing vehicle.

## TIE-DOWN LOCATIONS



① Front tie-down point



② Rear tie-down points



# SPECIFICATIONS

## PRO XD MID-SIZE

Maximum Weight Capacity (includes weight of operator, passenger, cargo, accessories)	946 lbs (429 kg)
Dry Weight	1218 lbs (552 kg)
Test GVW - Occupant Protection System (OPS)	2255 lbs (1023 kg) per ANSI/OPEI B71.9–2016 Section 8.9
Fuel Capacity	9.5 gal. (36 L)
Engine Oil Capacity	2 qts. (1.9 L) with filter
Coolant Capacity	5 qts. (4.75 L)
Overall Length	108 in. (274.3 cm)
Overall Width	56 in. (142.2 cm)
Overall Height	74 in. (188 cm)
Wheelbase	73 in. (185.4 cm)
Cargo Box Dimensions (Inside)	33.3 x 48.7 x 12.3 in. (84.5 x 123.7 x 31.2 cm)
Ground Clearance	11.5 in. (29 cm)
Min. Turning Radius	152 in. (386.1 cm)
Towing Capacity	1500 lbs (680 kg)
Hitch Tongue Capacity	150 lbs (68 kg)
Max. Cargo Box Load	500 lbs (226 kg)
Engine	Dual overhead cam, 4 valve 4 stroke single cylinder.
Displacement	567 cc
Bore x Stroke (mm)	99 mm x 73.6 mm
Alternator Output	660 W @ 3000 RPM
Compression Ratio	10:1

## SPECIFICATIONS

Starting System	Electric
Fuel System	Electronic Fuel Injection
Ignition Timing	ECU Controlled 32° +/- 2° @ 5000 RPM
Spark Plug	NGK® MR7F / .031" (0.7-0.8 mm)
Lubrication System	Wet Sump
Cooling	Liquid
Front Suspension	MacPherson Ride® Strut w/ 9 in. (22.9 cm) of travel
Rear Suspension	Dual A-Arm, IRS w/ 10 in. (25.4 cm) of travel
Throttle Body Size	42 mm
Ignition System	Digital CDI
Driving System Type	PVT
Shift Type	Single Lever (H/L/N/R/P)
Gear Reduction - Low	28.84:1
Gear Reduction - Reverse	25.82:1
Gear Reduction - High	13.57:1
Drive Ratio - Front	3.818:1
Tire Size - Front	25 x 9.00 - 12
Tire Size - Rear	25 x 9.00 - 12
Tire Pressure - Front	10 psi (69 kPa)
Tire Pressure - Rear	20 psi (138 kPa)
Brakes, Front/Rear	Foot Activated, 4 wheel hydraulic disc
Hood Headlights	2 single beam, 55W, quartz/halogen
Taillights	10 LED (.28W)
Brake Light	10 LED (3.1W)
Indicator Light	1.0 W

**PRO XD MID-SIZE CREW**

Maximum Weight Capacity (includes weight of operator, passenger, cargo, accessories)	1141 lbs. (518 Kg)
Dry Weight	1472 lbs (668 kg)
Test GVW - Occupant Protection System (OPS)	2700 lbs (1224.7 kg) per ANSI/OPEI B71.9–2016 Section 8.9
Fuel Capacity	9.5 gal. (36 L)
Engine Oil Capacity	2 qts. (1.9 L) with filter
Coolant Capacity	5 qts. (4.75 L)
Overall Length	144 in. (366 cm)
Overall Width	56 in. (142 cm)
Overall Height	74 in. (188 cm)
Wheelbase	105 in. (267 cm)
Cargo Box Dimensions (Inside)	33.3 x 48.7 x 12.3 in. (84.5 x 123.7 x 31.2 cm)
Ground Clearance	11.5 in. (29 cm)
Min. Turning Radius	196 in. (498 cm)
Towing Capacity	1500 lbs (680 kg)
Hitch Tongue Capacity	150 lbs (68 kg)
Max. Cargo Box Load	500 lbs (226 kg)
Engine	Dual overhead cam, 4 valve 4 stroke single cylinder.
Displacement	567 cc
Bore x Stroke (mm)	99 mm x 73.6 mm
Alternator Output	660 W @ 3000 RPM
Compression Ratio	10.5:1
Starting System	Electric

## SPECIFICATIONS

Fuel System	Electronic Fuel Injection
Ignition Timing	ECU Controlled 32° +/- 2° @ 5000 RPM
Spark Plug	NGK® MR7F / .031" (0.7-0.8 mm)
Lubrication System	Wet Sump
Cooling	Liquid
Front Suspension	MacPherson Ride® Strut w/ 9 in. (22.9 cm) of travel
Rear Suspension	Dual A-Arm, IRS w/ 10 in. (25.4 cm) of travel
Throttle Body Size	42 mm (570)
Ignition System	Digital CDI
Driving System Type	PVT, 4-wheel independent shaft, lockable differential
Shift Type	Single Lever (H/L/N/R/P)
Gear Reduction - Low	28.84:1
Gear Reduction - Reverse	25.82:1
Gear Reduction - High	13.57:1
Drive Ratio - Front	3.818:1
Tire Size - Front	25 x 9.00 - 12
Tire Size - Rear	25 x 9.00 - 12
Tire Pressure - Front	15 psi (103 kPa)
Tire Pressure - Rear	20 psi (138 kPa)
Brakes, Front/Rear	Foot Activated, 4 wheel hydraulic disc
Hood Headlights	2 single beam, 55W, quartz/halogen
Taillights	10 LED (.28W)
Brake Light	10 LED (3.1W)



# POLARIS PRODUCTS

## PRODUCT INFORMATION

PART NUMBER	DESCRIPTION
<b>Engine Lubricant</b>	
2870791	Fogging Oil (355 ml/12 oz. Aerosol)
2876244	PS-4 Full Synthetic 5W-50 4-Cycle Oil (.95 l/1 qt.)
2876245	PS-4 Full Synthetic 5W-50 4-Cycle Oil (3.8 l/1 gal.)
2878920	PS-4 Extreme Duty Synthetic 10W-50 4-Cycle Oil (.95 l/1 qt.)
2878919	PS-4 Extreme Duty Synthetic 10W-50 4-Cycle Oil (3.8 l/1 gal.)
<b>Gearcase / Transmission Lubricants</b>	
2878068	AGL Full Synthetic Gearcase Lubricant & Transmission Fluid (.95 l/1 qt.)
2878069	AGL Full Synthetic Gearcase Lubricant & Transmission Fluid (3.8 l/1 gal.)
2877922	Demand Drive Fluid (.95 l/1 qt.)
2877923	Demand Drive Fluid (3.8 l/1 gal.)
2870465	Pump for Gallon (3.8 l) Jug
<b>Coolant</b>	
2880514	Antifreeze 50/50 Premix (.95 l/1 qt.)
2880513	Antifreeze 50/50 Premix (3.8 l/1 gal.)
<b>Grease / Specialized Lubricants</b>	
2871312	Grease Gun Kit, All Season Grease
2871322	All Season Grease (89 ml/3 oz. cartridge)
2871423	All Season Grease (414 ml/14 oz. cartridge)
2876160	ATV Angle Drive Fluid (.95 l/1 qt.)
2872276	ATV Angle Drive Fluid (9.5 l/2.5 gal.)
2871460	Premium Starter Grease
2871515	U-Joint Grease (89 ml/3 oz. cartridge)
2871551	U-Joint Grease (414 ml/14 oz. cartridge)
2871329	Dielectric Grease (Nyogel®)
<b>Additives / Miscellaneous</b>	
2871326	Carbon Clean

## POLARIS PRODUCTS

PART NUMBER	DESCRIPTION
2870652	Fuel Stabilizer
2872189	DOT 4 Brake Fluid
2871956	Loctite® 565 Thread Sealant
2830438	BatteryMINDer® 2012 AGM - 2 AMP Charger
5253552	Polaris Battery Strap Bracket for 45 AH Battery
4015591	Polaris 30 AH Battery
2521372	Polaris Air Filter

# TROUBLESHOOTING

## DRIVE BELT WEAR/BURN

POSSIBLE CAUSE	SOLUTION
Driving onto a pickup or tall trailer in high range	Use low range during loading.
Starting out going up a steep incline	Use low range. See warnings on page 69.
Driving at low RPM or ground speed 5–11 km/h (3-7 MPH)	Drive at a higher speed or use low range more frequently.
Insufficient warm-up at low ambient temperatures	Warm the engine at least 5 minutes. With the transmission in neutral, advance the throttle to about 1/8 throttle in short bursts, 5 to 7 times. The belt will become more flexible and prevent belt burning.
Slow/easy clutch engagement	Use the throttle quickly and effectively.
Towing/pushing at low RPM/low ground speed	Use low range only.
Utility use/plowing	Use low range only.
Stuck in mud or snow	Shift the transmission to low range and carefully use fast, aggressive throttle application to engage clutch. <b>WARNING: Excessive throttle may cause loss of control and vehicle rollover.</b>
Climbing over large objects from a stopped position	Shift the transmission to low range and carefully use fast, brief, aggressive throttle application to engage clutch. <b>WARNING: Excessive throttle may cause loss of control and vehicle rollover.</b>
Belt slippage from water or snow ingestion into the PVT system	Dry out the PVT (see the PVT System Drying section for details). Prevent water from entering the PVT intake duct. See Intake Pre-Filters for more information. Inspect clutch seals for damage if repeated leaking occurs.
Clutch malfunction	Your dealer can assist.
Poor engine performance	Check for fouled plug or foreign material in gas tank or fuel lines. Your POLARIS dealer can assist.
Slippage from failure to warm up belt	Always warm up the belt by operating below 48 km/h for 1.6 km (30 mph for one mile). Warm up for 8 km (5 miles) or more when temperature is below freezing.
Wrong or missing belt	Install the recommended belt.
Improper break-in	Always break in a new belt and/or clutch.

### ENGINE DOESN'T TURN OVER

POSSIBLE CAUSE	SOLUTION
Low battery voltage	Recharge the battery.
Loose battery connections	Check all connections and tighten.
Loose solenoid connections	Check all connections and tighten.
Loose electronic control box connections	Inspect, clean, reinstall connectors.

### ENGINE TURNS OVER, FAILS TO START

POSSIBLE CAUSE	SOLUTION
Out of fuel	Refuel.
Water is present in fuel	Drain the fuel system and refuel.
Old or non-recommended fuel	Replace with fresh recommended fuel.
Fouled or defective spark plug	Inspect plug and replace if necessary.
No spark to spark plug	Inspect plug and replace if necessary.
Water or fuel in crankcase	Your authorized dealer can assist.
Low battery voltage	Recharge the battery to 12.8 VDC.
Mechanical failure	Your authorized dealer can assist.

---

## ENGINE BACKFIRES

POSSIBLE CAUSE	SOLUTION
Weak spark from spark plug	Inspect, clean and/or replace spark plug
Incorrect spark plug gap or heat range	Set gap to specs or replace plug
Old or non-recommended fuel	Replace with fresh recommended fuel
Incorrectly installed spark plug wires	Your authorized dealer can assist
Mechanical failure	Your authorized dealer can assist
Loose ignition connections	Check all connections and tighten
Water present in fuel	Replace with fresh recommended fuel

## ENGINE PINGS OR KNOCKS

POSSIBLE CAUSE	SOLUTION
Poor quality or low octane fuel	Replace with recommended fuel
Incorrect spark plug gap or heat range	Set gap to specs or replace plug

## ENGINE RUNS IRREGULARLY, STALLS OR MISFIRES

POSSIBLE CAUSE	SOLUTION
Fouled or defective spark plug	Inspect, clean and/or replace spark plug
Worn or defective spark plug wires	See your POLARIS dealer
Incorrect spark plug gap or heat range	Set gap to specs or replace plug
Loose ignition connections	Check all connections and tighten
Water present in fuel	Replace with new fuel
Low battery voltage	Recharge battery to 12.8 VDC
Kinked or plugged fuel tank vent line	Inspect and replace
Incorrect fuel	Replace with recommended fuel
Clogged air filter	Inspect and clean or replace
Low fuel pressure	See your POLARIS dealer
Other mechanical failure	See your POLARIS dealer
Possible Lean Fuel Cause	Solution
Low or contaminated fuel	Add or change fuel, clean the fuel system
Low octane fuel	Replace with recommended fuel
Clogged fuel filter	See your POLARIS dealer
Possible Rich Fuel Cause	Solution
Fuel is very high octane	Replace with lower octane fuel

**ENGINE STOPS OR LOSES POWER**

<b>POSSIBLE CAUSE</b>	<b>SOLUTION</b>
Out of fuel	Refuel
Kinked or plugged fuel vent line	Inspect and replace
Water is present in fuel	Replace with new fuel
Fouled or defective spark plug	Inspect, clean and/or replace spark plug
Worn or defective spark plug wires	Your authorized dealer can assist
Incorrect spark plug gap or heat range	Set gap to specs or replace plug
Loose ignition connections	Check all connections and tighten
Low battery voltage	Recharge the battery
Incorrect fuel	Replace with fresh recommended fuel
Clogged air filter	Inspect and clean or replace
Clogged intake pre-filter	Inspect and clean (with soapy water) or replace
Other mechanical failure	Your authorized dealer can assist
Overheated engine	Clean radiator screen and core, clean engine exterior, and check coolant level. Your dealer can assist.





## WARRANTY

### LIMITED WARRANTY

POLARIS Inc., 2100 Highway 55, Medina, MN 55340 (POLARIS) gives a TWO YEAR LIMITED WARRANTY on all components of your POLARIS vehicle against defects in material or workmanship. POLARIS further warrants that the spark arrester in this product will meet the efficiency requirements of USFS standard 5100-1C for at least 1000 hours when subjected to normal use and when maintenance and installation are in accordance with POLARIS recommendations.

This warranty covers parts and labor charges for repair or replacement of defective parts and begins on the date of purchase by the original retail purchaser. This warranty is transferable to another owner during the warranty period through a POLARIS dealer, but any such transfer will not extend the original term of the warranty. The duration of this warranty may vary by international region based upon local laws and regulations.

### REGISTRATION

At the time of sale, the Warranty Registration Form must be completed by your dealer and submitted to POLARIS within ten days of purchase. Upon receipt of this registration, POLARIS will record the registration for warranty. No verification of registration will be sent to the purchaser as the copy of the Warranty Registration Form will be your proof of warranty coverage. If you have not signed the original registration and received the customer copy, please contact your dealer immediately. **NO WARRANTY COVERAGE WILL BE ALLOWED UNLESS YOUR VEHICLE IS REGISTERED WITH POLARIS.** Initial dealer preparation and set-up of your vehicle is very important in ensuring trouble-free operation. Purchasing a machine in the crate or without proper dealer set-up will void your warranty coverage.

## WARRANTY

---

### WARRANTY COVERAGE AND EXCLUSIONS

#### LIMITATIONS OF WARRANTIES AND REMEDIES

This POLARIS limited warranty excludes any failures that are not caused by a defect in material or workmanship. THIS WARRANTY DOES NOT COVER CLAIMS OF DEFECTIVE DESIGN. This warranty also does not cover acts of God, accidental damage, normal wear and tear, abuse or improper handling. This warranty also does not cover any vehicle, component, or part that has been altered structurally, modified, neglected, improperly maintained or used for racing, competition or purposes other than for which it was designed.

This warranty excludes damages or failures resulting from improper lubrication; improper engine timing; improper fuel; surface imperfections caused by external stress, heat, cold or contamination; operator error or abuse; improper component alignment, tension, adjustment or altitude compensation; snow, water, dirt or other foreign substance ingestion/contamination; improper maintenance; modified components; use of aftermarket or unapproved components, accessories, or attachments; use of unapproved software or calibration; unauthorized repairs; or repairs made after the warranty period expires or by an unauthorized repair center.

This warranty excludes damages or failures caused by abuse, accident, fire, or any other cause other than a defect in materials or workmanship and provides no coverage for consumable components, general wear items, or any parts exposed to friction surfaces, stresses, environmental conditions and/or contamination for which they were not designed or not intended, including but not limited to the following items:

- Wheels and tires
- Suspension components
- Brake components
- Seat components
- Clutches and components
- Steering components
- Batteries
- Light bulbs/Sealed beam lamps
- Filters
- Lubricants
- Bushings
- Finished and unfinished surfaces
- Carburetor/Throttle body components
- Engine components
- Drive belts
- Hydraulic components and fluids
- Circuit breakers/Fuses
- Electronic components
- Spark plugs
- Sealants
- Coolants
- Bearings

## LUBRICANTS AND FLUIDS

1. Mixing oil brands or using non-recommended oil may cause engine damage. We recommend the use of POLARIS engine oil.
2. Damage or failure resulting from the use of non-recommended lubricants or fluids is not covered by this warranty.

This warranty provides no coverage for personal loss or expense, including mileage, transportation costs, hotels, meals, shipping or handling fees, product pick-up or delivery, replacement rentals, loss of product use, loss of profits, or loss of vacation or personal time.

THE EXCLUSIVE REMEDY FOR BREACH OF THIS WARRANTY SHALL BE, AT POLARIS' OPTION, REPAIR OR REPLACEMENT OF ANY DEFECTIVE MATERIALS, COMPONENTS, OR PRODUCTS. THE REMEDIES SET FORTH IN THIS WARRANTY ARE THE ONLY REMEDIES AVAILABLE TO ANY PERSON FOR BREACH OF THIS WARRANTY. POLARIS SHALL HAVE NO LIABILITY TO ANY PERSON FOR INCIDENTAL, CONSEQUENTIAL OR SPECIAL DAMAGES OF ANY DESCRIPTION, WHETHER ARISING OUT OF EXPRESS OR IMPLIED WARRANTY OR ANY OTHER CONTRACT, NEGLIGENCE, OR OTHER TORT OR OTHERWISE. THIS EXCLUSION OF CONSEQUENTIAL, INCIDENTAL, AND SPECIAL DAMAGES IS INDEPENDENT FROM AND SHALL SURVIVE ANY FINDING THAT THE EXCLUSIVE REMEDY FAILED OF ITS ESSENTIAL PURPOSE.

THE IMPLIED WARRANTY OF FITNESS FOR A PARTICULAR PURPOSE IS EXCLUDED FROM THIS LIMITED WARRANTY. ALL OTHER IMPLIED WARRANTIES (INCLUDING BUT NOT LIMITED TO THE IMPLIED WARRANTY OF MERCHANTABILITY) ARE LIMITED IN DURATION TO THE ABOVE ONE YEAR WARRANTY PERIOD. POLARIS DISCLAIMS ALL EXPRESS WARRANTIES NOT STATED IN THIS WARRANTY. SOME STATES DO NOT PERMIT THE EXCLUSION OR LIMITATION OF INCIDENTAL OR CONSEQUENTIAL DAMAGES OR ALLOW LIMITATIONS ON THE DURATION OF IMPLIED WARRANTIES, SO THE ABOVE LIMITATIONS MAY NOT APPLY TO YOU IF INCONSISTENT WITH CONTROLLING STATE LAW.

## WARRANTY

---

### **HOW TO OBTAIN WARRANTY SERVICE**

If your vehicle requires warranty service, you must take it to a POLARIS Servicing Dealer. When requesting warranty service you must present your copy of the Warranty Registration Form to the dealer. (THE COST OF TRANSPORTATION TO AND FROM THE DEALER IS YOUR RESPONSIBILITY.) POLARIS suggests that you use your original selling dealer; however, you may use any POLARIS Servicing Dealer to perform warranty service.

### **IN THE COUNTRY WHERE YOUR PRODUCT WAS PURCHASED:**

Warranty or Service Bulletin repairs must be done by an authorized POLARIS dealer, or other qualified person. If you move or are traveling within the country where your product was purchased, Warranty and Service Bulletin repairs may be requested from any authorized POLARIS dealer, or other qualified person, that sells the same line as your product.

### **OUTSIDE THE COUNTRY WHERE YOUR PRODUCT WAS PURCHASED:**

If you are traveling temporarily outside the country where your product was purchased, you should take your product to an authorized POLARIS dealer, or other qualified person. You must show the dealer photo identification from the country of the selling dealer's authorized location as proof of residence. Upon residence verification, the servicing dealer will be authorized to perform the warranty repair.

### **IF YOU MOVE:**

If you move to another country, be sure to contact POLARIS Customer Assistance and the customs department of the destination country before you move. Product importation rules vary considerably from country to country. You may be required to present documentation of your move to POLARIS in order to continue your warranty coverage. You may also be required to obtain documentation from POLARIS in order to register your product in your new country. You should warranty register your product at a local POLARIS dealer in your new country immediately after you move to continue your warranty coverage and to ensure that you receive information and notices regarding your product.

### **IF YOU PURCHASE FROM A PRIVATE PARTY:**

If you purchase a POLARIS product from a private party, to be kept and used outside of the country in which the product was originally purchased, all warranty coverage will be denied. You must nonetheless register your product under your name and address with a local POLARIS dealer in your country to ensure that you receive safety information and notices regarding your product.

## EXPORTED PRODUCTS

EXCEPT WHERE SPECIFICALLY REQUIRED BY LAW, THERE IS NO WARRANTY OR SERVICE BULLETIN COVERAGE ON THIS PRODUCT IF IT IS SOLD OUTSIDE THE COUNTRY OF THE SELLING DEALER'S AUTHORIZED LOCATION. This policy does not apply to products that have received authorization for export from POLARIS. Dealers may not give authorization for export. You should consult an authorized dealer to determine this product's warranty or service coverage if you have any questions. This policy does not apply to products registered to government officials or military personnel on assignment outside the country of the selling dealer's authorized location. This policy does not apply to Safety Bulletins.

## NOTICE

If your product is registered outside of the country where it was purchased and you have not followed the procedure set above, your product will no longer be eligible for warranty or service bulletin coverage of any kind, other than safety recalls. Products registered to government officials or military personnel on assignment outside of the country where the product was purchased will continue to be covered by the Limited Warranty.

Please work with your dealer to resolve any warranty issues. Dealership contacts can be found via this website, if needed:

**[www.polaris.com/en-us/contact](http://www.polaris.com/en-us/contact)**

Should your dealer require any additional assistance, they will contact the appropriate person at POLARIS.

This warranty gives you specific legal rights, and you may also have other rights which vary from state to state or in different countries. If any of the above terms are void because of federal, state, local law, all other warranty terms will remain in effect.

### ***For questions call POLARIS Owner Connections:***

United States & Canada: 1-800-POLARIS (1-800-765-2747)

French: 1-800-268-6334

To report a safety defect to Transport Canada, you may either fill out an online defect complaint form at their website:

English: <http://www.tc.gc.ca/recalls>

French: <http://www.tc.gc.ca/rappels>

Or contact their Defect Investigations and Recalls Division by calling toll-free 1-800-333-0510 (Canada) or 819-994-3328 (Ottawa-Gatineau area / International).

## WARRANTY

---

### **U.S.A. EPA EMISSIONS LIMITED WARRANTY**

This emissions limited warranty is in addition to the POLARIS standard limited warranty for your vehicle. Polaris Industries Inc. warrants that at the time it is first purchased, this emissions-certified vehicle is designed, built and equipped so it conforms with applicable U.S. Environmental Protection Agency emission regulations. POLARIS warrants that the vehicle is free from defects in materials and workmanship that would cause it to fail to meet these regulations.

The warranty period for off road vehicles 100 cm<sup>3</sup> or greater emissions-certified vehicles starts on the date of purchase by original retail purchaser and continues for a period of 500 hours of engine operation, 3100 miles (5000 km) of vehicle travel, or 30 calendar months from the date of purchase, whichever comes first. The warranty period for ATVs less than 100 cm<sup>3</sup> emissions-certified vehicles starts on the date of purchase by original retail purchaser and continues for a period of 250 hours of engine operation, 1550 miles (2500 km) of vehicle travel, or 30 calendar months from the date of purchase, whichever comes first. This EPA emissions warranty period is extended for at least as long as the standard factory warranty that Polaris provides on the vehicle as a whole. The EPA emissions warranty period does not further extend if you purchase additional warranty coverage in the form of a service contract or other paid warranty extension, but emission-related parts may be covered subject to the terms of any such paid service contract or paid warranty extension.

This emissions limited warranty covers components whose failure increases the vehicle's regulated emissions, and it covers components of systems whose only purpose is to control emissions. Repairing or replacing other components not covered by this warranty is the responsibility of the vehicle owner. This emissions limited warranty does not cover components whose failure does not increase the vehicle's regulated emissions.

For exhaust emissions, emission-related components include any engine parts related to the following systems:

- Air-induction system
- Fuel system
- Ignition system
- Exhaust gas recirculation systems

The following parts are also considered emission-related components for exhaust emissions:

- Aftertreatment devices
- Crankcase ventilation valves
- Sensors
- Electronic control units

The following parts are considered emission-related components for evaporative emissions:

- Fuel Tank
- Fuel Cap
- Fuel Line
- Fuel Line Fittings
- Clamps\*
- Pressure Relief Valves\*
- Control Valves\*
- Control Solenoids\*
- Electronic Controls\*
- Vacuum Control Diaphragms\*
- Control Cables\*
- Control Linkages\*
- Purge Valves
- Vapor Hoses
- Liquid/Vapor Separator
- Carbon Canister
- Canister Mounting Brackets
- Carburetor Purge Port Connector

\*As related to the evaporative emission control system.

Emission-related components also include any other part whose only purpose is to reduce emissions or whose failure will increase emissions without significantly degrading engine/equipment performance. The exclusive remedy for breach of this limited warranty shall be, at the exclusive option of POLARIS, repair or replacement of any defective materials, components or products. THE REMEDIES SET FORTH IN THIS LIMITED WARRANTY ARE THE ONLY REMEDIES AVAILABLE TO ANY PERSON FOR BREACH OF THIS WARRANTY. POLARIS SHALL HAVE NO LIABILITY TO ANY PERSON FOR INCIDENTAL, CONSEQUENTIAL OR SPECIAL DAMAGES OF ANY DESCRIPTION, WHETHER ARISING OUT OF EXPRESS OR IMPLIED WARRANTY OR ANY OTHER CONTRACT, NEGLIGENCE OR OTHER TORT OR OTHERWISE. THIS EXCLUSION OF CONSEQUENTIAL, INCIDENTAL, AND SPECIAL DAMAGES IS INDEPENDENT FROM AND SHALL SURVIVE ANY FINDING THAT THE EXCLUSIVE REMEDY FAILED OF ITS ESSENTIAL PURPOSE.

ALL IMPLIED WARRANTIES (INCLUDING BUT NOT LIMITED TO ANY IMPLIED WARRANTIES OF MERCHANTABILITY AND FITNESS FOR A PARTICULAR PURPOSE) ARE LIMITED IN DURATION TO THE WARRANTY PERIOD DESCRIBED HEREIN. POLARIS DISCLAIMS ALL EXPRESS WARRANTIES NOT STATED IN THIS WARRANTY. Some states do not allow limitations on how long an implied warranty lasts, so the above limitation may not apply if it is inconsistent with the controlling state law.

This limited warranty excludes failures not caused by a defect in material or workmanship. This limited warranty does not cover damage due to accidents, abuse or improper handling, maintenance or use. This limited warranty also does not cover any engine that has been structurally altered, or when the vehicle has been used in racing competition. This limited warranty also does not cover physical damage, corrosion or defects caused by fire, explosions or other similar causes beyond the control of POLARIS.

## WARRANTY

---

Owners are responsible for performing the scheduled maintenance identified in the owner's manual. POLARIS may deny warranty claims for failures that have been caused by the owner's or operator's improper maintenance or use, by accidents for which POLARIS has no responsibility, or by acts of God.

Any qualified repair shop or person may maintain, replace, or repair the emission control devices or systems on your vehicle. An authorized POLARIS dealer, or other qualified person, can perform any service that may be necessary for your vehicle. POLARIS also recommends POLARIS parts, however equivalent parts may be used for such service. It is a potential violation of the Clean Air Act if a part supplied by an aftermarket parts manufacturer reduces the effectiveness of the vehicle's emission controls. Tampering with emission controls is prohibited by federal law.



---

## CALIFORNIA RESIDENTS

Certain POLARIS Off-Road Vehicles are available in 49-state and 50-state versions. Only the 50-state models are certified for sale in California. The 50-state models available for sale in California are identified by the letter "B" in the ninth position of the model number (e.g., R16RTE87B). The POLARIS 50-state models are designed and built with features such as a reduced cargo box capacity. Any modifications to these features may be a violation of the applicable California regulations and may void this limited emissions warranty offered by the manufacturer.

The California evaporative emissions control system limited warranty statement below applies to your Off Highway Recreational Vehicle in California if the vehicle is equipped with an evaporative emission control system and is labeled with a Vehicle Evaporative Emissions Control Information label indicating that the vehicle conforms to California evaporative emissions regulations applicable to new off-road sport vehicles, all-terrain vehicles, or off-road utility vehicles. These vehicles are referred to as "OHRV-EVAP" below.

### CALIFORNIA EMISSION CONTROL WARRANTY STATEMENT YOUR WARRANTY RIGHTS AND OBLIGATIONS

The California Air Resources Board and Polaris Industries Inc. is pleased to explain the emission control system warranty on your model year 2018 and newer Off Highway Recreational Vehicle. In California, new off-highway recreational vehicles must be designed, built and equipped to meet the State's stringent anti-smog standards. Polaris must warrant the emission control system on your OHRV-EVAP for the periods of time listed below provided there has been no abuse, neglect or improper maintenance of your OHRV-EVAP.

Your emission control system may include parts such as the carburetor or fuel injection system, fuel tank, fuel hoses, carbon canister, engine computer and Evaporative Emissions Control System parts listed in the U.S.A. EPA Emissions Limited Warranty. Also included may be hoses, belts, connectors and other emission-related assemblies. Where a warrantable condition exists, Polaris will repair your OHRV-EVAP at no cost to you including diagnosis, parts and labor.

#### MANUFACTURER'S WARRANTY COVERAGE:

For model year 2018 and newer OHRV-EVAP models.

For 30 months, or 2500 miles, or 250 hours, whichever comes first, except for evaporative components over the OHRV high-priced warranty value, which is covered for 60 months, or 5000 miles, or 500 hours, whichever comes first. If any emission-related part on your OHRV-EVAP is defective, the part will be repaired or replaced by Polaris.

#### OWNER'S WARRANTY RESPONSIBILITIES:

## WARRANTY

---

As the OHRV-EVAP owner, you are responsible for the performance of the required maintenance listed in your owner's manual. Polaris recommends that you retain all receipts covering maintenance on your OHRV-EVAP, but Polaris cannot deny warranty solely for the lack of receipts or for your failure to ensure the performance of a scheduled maintenance.

As an owner you are responsible for presenting your OHRV-EVAP to a Polaris dealer as soon as a problem exists. The warranty repairs should be completed in a reasonable amount of time, not to exceed 30 days.

As an OHRV-EVAP owner, you should also be aware that Polaris may deny you warranty coverage if your OHRV-EVAP or a part has failed due to abuse, neglect, improper maintenance or unapproved modifications.

### **ADD-ON OR MODIFIED PARTS**

An add-on or modified part must be compliant with applicable CARB emission control standards. A violation of this requirement is punishable by civil and/or criminal punishment.

If you have any questions regarding your warranty rights and responsibilities, you should contact Polaris Customer Assistance at 1-800-POLARIS (1-800-765-2747) or the California Air Resources Board at 9528 Telstar Avenue, El Monte, CA 91731.

United States & Canada: 1-800-POLARIS (1-800-765-2747)

French: 1-800-268-6334





---

## A

Adding or Changing Coolant .....	112
Adjustable Speed Limiting .....	53
Adjustable Steering Wheel .....	33
Age Restrictions .....	22
Air Filter.....	120
Air Filter / Air Box.....	139
Air Intake / Engine Breather Inspection .....	122
All Wheel Drive/Rear Differential System .....	78
Auxiliary Outlet.....	34
AWD.....	35
Axle and Wheel Nut Torque Specifications.....	127

## B

Battery .....	133
Battery Installation .....	134
Battery Maintenance .....	140
Battery Maintenance and Charging .....	135
Battery Removal.....	133
Battery Storage.....	135
Battery Trickle-Charging Port .....	34
Brake Lights .....	132
Brakes .....	124
Braking .....	67
Break-in Period .....	63

## C

California Residents .....	167
Clean the Exterior.....	139
Component Locations.....	31
Console, Standard .....	32
Cooling System.....	112
Crossing Hillsides .....	25

## D

Descending Hills Improperly .....	25
-----------------------------------	----

Diagnostic Display Code Definitions .....	57
Drive Belt Wear/Burn.....	153
Driveline Mode Switch .....	35
Driving Downhill .....	70
Driving in Reverse .....	72
Driving on a Sidehill .....	70
Driving on Slippery Surfaces .....	68
Driving Over Obstacles .....	72
Driving Procedures .....	67
Driving Through Water.....	71
Driving Uphill .....	69
Driving with a Passenger.....	68
Dumping the Cargo Box.....	76

## E

Electromagnetic Interference .....	91
Electronic Power Steering .....	39
Emissions Limited Warranty.....	164
Engine and Drivetrain Break-in .....	64
Engine Backfires .....	155
Engine Doesn't Turn Over .....	154
Engine Oil.....	98
Engine Pings or Knocks .....	155
Engine Runs Irregularly, Stalls or Misfires .....	156
Engine Stops or Loses Power .....	157
Engine Turns Over, Fails to Start.....	154
Exhaust Emission Control System .....	91
Exported Products .....	163
Exposure to Exhaust .....	29

## F

Failure to Inspect Before Operating .....	23
Fan, Cooling.....	112
Fluid Levels.....	139
Fog the Engine .....	140
Front Gearcase (Demand Drive) .....	106
Fuel Cap.....	39
Fuel Stabilizer.....	139

---

Fuses ..... 129

## G

Gear Selector ..... 33  
Gearcase Specification Chart ..... 102  
Grease Lubrication Points ..... 107

## H

Hauling Cargo ..... 74  
Headlight Beam Adjustment ..... 131  
Headlight Lamp Replacement .... 130  
Helmet ..... 11  
Hot Exhaust Systems ..... 29  
How To Obtain Warranty  
Service ..... 162

## I

Ignition Switch ..... 35  
Improper Cargo Loading ..... 28  
Improper Tire Maintenance ..... 24  
Indicator Lamps ..... 42  
Inspect and Lubricate ..... 139  
Instrument Cluster  
Adjustable Speed Limiting ..... 53  
Back Light Color ..... 50  
Back Light Level ..... 51  
Clock ..... 49  
Diagnostic Code ..... 56  
Display Area 1 ..... 44  
Display Area 2 ..... 45  
Options Menu ..... 46  
Overview ..... 41  
Unit Selection Distance ..... 47  
Unit Selection Temperature ..... 48

## L

Labels  
Air Filter Caution ..... 19  
Belt Warning ..... 12  
Clutch Cover Warning ..... 18

Fuel Transport Warning ..... 19  
Maximum Payload Warning ..... 18  
Passenger / Tire Pressure  
Warning ..... 15  
Proper Use Warning ..... 13-14  
Seat Belt/ Drive Responsibly  
Warning ..... 16  
Lights ..... 130  
Limited Warranty ..... 159  
Load Capacity ..... 74  
Lubrication Recommendations ..... 97

## M

Maintenance  
Oil and Filter Change ..... 100  
Oil Check ..... 98  
Maintenance Log ..... 169  
Maintenance Overview ..... 93  
Maximum Speed Setting ..... 53  
Mode Button ..... 35  
Modifications to Vehicle ..... 30

## N

Near Field Communication  
(NFC) ..... 10  
Noise Emission Control System ... 91  
Notice ..... 163

## O

Obstacles ..... 72  
Occupant Protective Structure  
(OPS) ..... 40  
Oil and Filter ..... 139  
Operating Improperly in Reverse... 26  
Operating Over Obstacles ..... 27  
Operating Through Water ..... 27  
Operating With a Load on the  
Vehicle ..... 24  
Operating Without Instruction ..... 22  
Outlets ..... 34  
Overflow Bottle Coolant Level .... 114

---

## P

Parking on an Incline .....	73
Parking the Vehicle .....	73
Personal Protective Equipment.....	11
Plugs, Spark.....	110
Polaris Products .....	151
POLARIS Variable Transmission (PVT) System Drying .....	118
POLARIS Variable Transmission System.....	114
Poor Visibility .....	28
Power Steering .....	39
Power Steering Unit (Cleaning)....	129
Pre-Ride Inspection .....	65
PVT Break-in (Clutches/Belt) .....	64

## R

Radiator and Cooling Fan.....	112
Radiator Coolant Level .....	112
Registration, Warranty .....	159
Removal from Storage.....	140
Reverse Operation.....	72

## S

Safety Labels and Locations .....	12
Safety Symbols .....	8
Safety Warnings Using Alcohol or Drugs .....	23
Safety, Winch Maintenance.....	90
Seat and Storage Compartments .....	38
Seat Belt.....	37
Seat Belts .....	23
Seat Removal .....	38
Service Hours .....	52
Shock Loading the Winch.....	89
Signal Words .....	8
Spark Arrestor .....	91
Spark Arrestor .....	123
Spark Plug Gap/Torque.....	110
Spark Plug Inspection.....	110
Spark Plug Recommendations ....	110

Specifications .....	147, 149
Spring Adjustment .....	126
Stabilize the Fuel.....	139
Stalling While Climbing a Hill.....	26
Starting the Engine .....	66
Steering Wheel Inspection.....	126
Stopping the Engine.....	66
Storage .....	139
Storage Area .....	140
Suspension Adjustment .....	126

## T

Tail Lamp Replacement .....	130
Tire Tread Depth .....	127
Tires .....	127
Towing Loads .....	75
Trailer Hitch Bracket.....	40
Transmission .....	103
Transporting the Vehicle.....	142
Turning Improperly.....	25

## U

Unauthorized Use of the Vehicle ...	29
USB Outlets .....	34

## V

Vehicle Identification Numbers .....	9
Vehicle Immersion .....	119
Vehicle Tie-Down Loading and unloading .....	142
Minimum Working Load Limit (WLL).....	142
Tie Down Locations.....	145

## W

Warning Symbols .....	8
Warranty Coverage And Exclusions Lubricants and Fluids .....	161
Washing the Vehicle.....	137
Welcome Page .....	3

---

Wet Fouled Plug.....	111
Wheel Installation .....	128
Wheel Removal.....	128
Winch	
Winch Operation .....	83
Winch Safety Precautions .....	81
Winch Cable Care .....	88
Winch Maintenance and	
Service Safety .....	90
Winch Shock Loading.....	89







For your nearest Polaris dealer,  
call 1-800-POLARIS (765-2747)  
or visit [www.polaris.com](http://www.polaris.com)

Polaris, Inc.  
2100 Highway 55  
Medina, MN 55340



Part No. 9940934 Rev 01  
Printed in USA